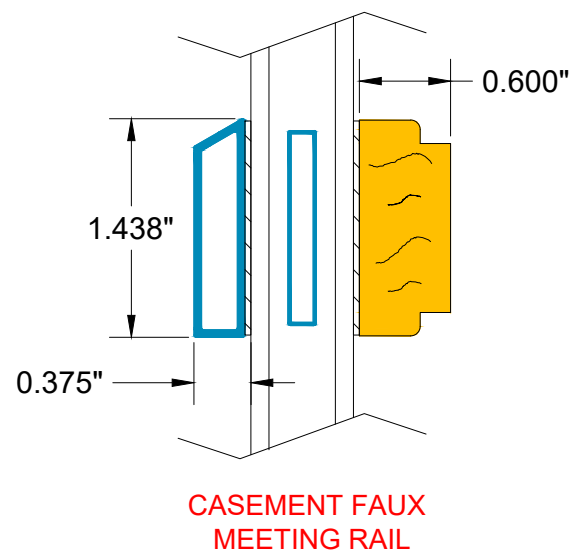
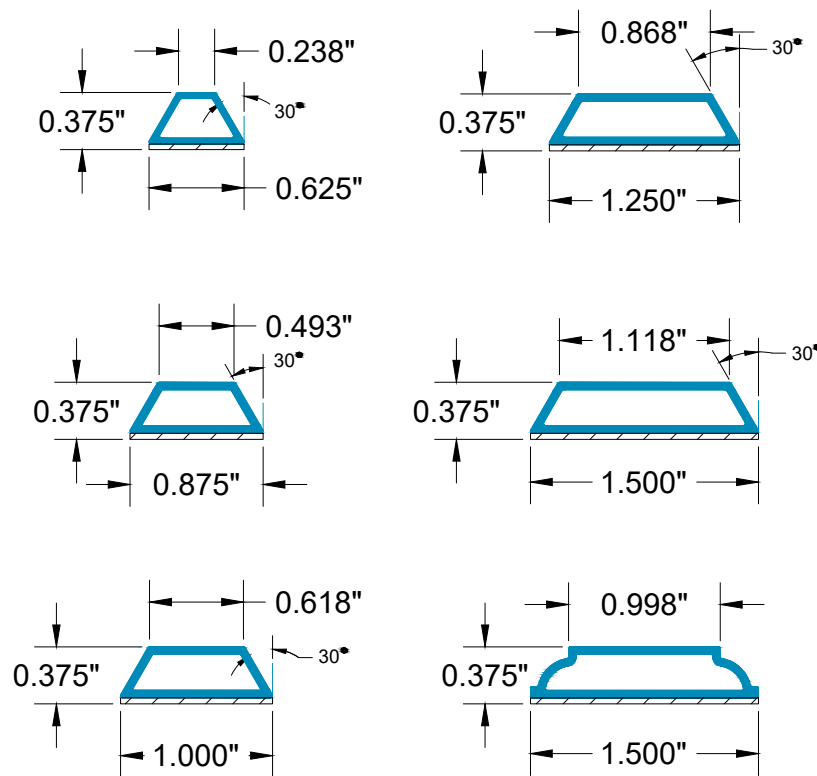
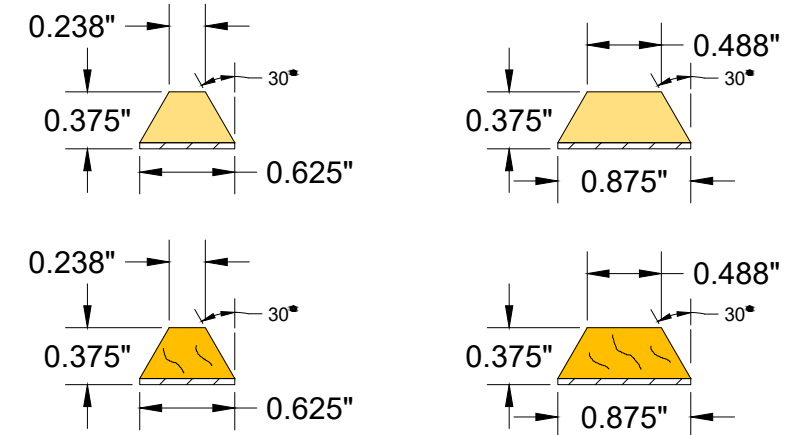


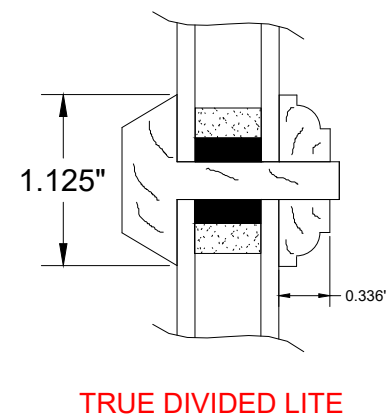
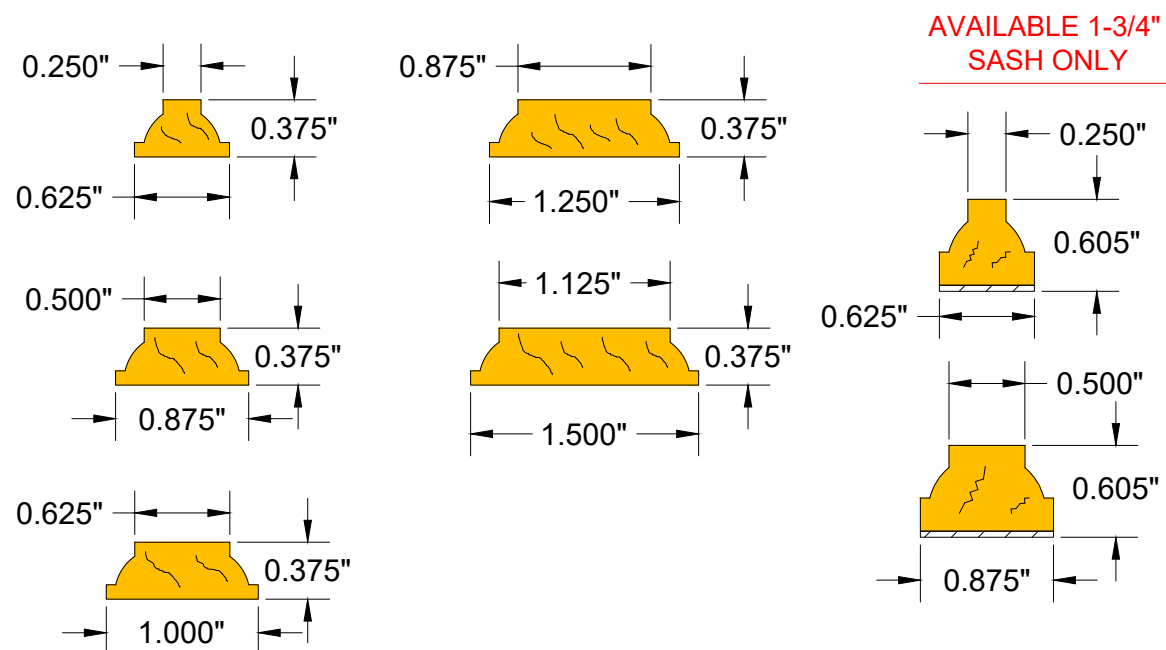
ALUMINUM EXTERIOR



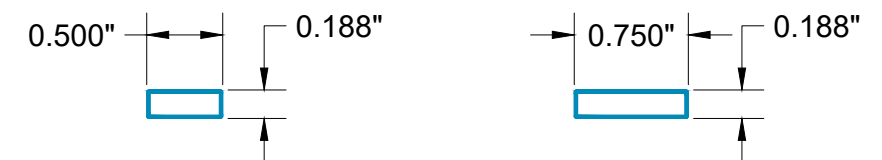
CPVC/WOOD EXTERIOR



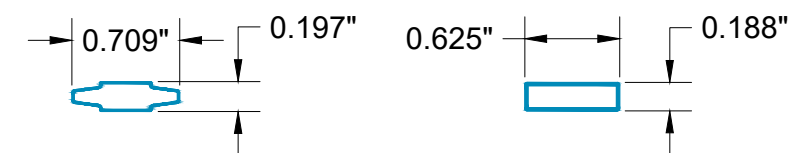
WOOD INTERIOR



S.D.L SPACER BAR



ALUMINUM (BETWEEN GLASS)



REVISION: 10/6/2020

THE INFORMATION CONTAINED IN THIS DRAWING IS THE SOLE PROPERTY OF TRIMLINE WINDOWS INC. ANY REPRODUCTION IN PART OR AS A WHOLE WITHOUT THE WRITTEN PERMISSION OF TRIMLINE WINDOWS INC. IS PROHIBITED.

TRIMLINE
WOOD WINDOWS
50 Louise Drive
Ivyland, Pennsylvania, 18974

DESCRIPTION:
GRILLE AND SDL PROFILE

CUSTOMER:

SIZE: A	SCALE: N.T.S.	SHEET: 1 OF 1
DRAWN BY: J.R.S.	DATE: 3/2/11	DWG #: A-298