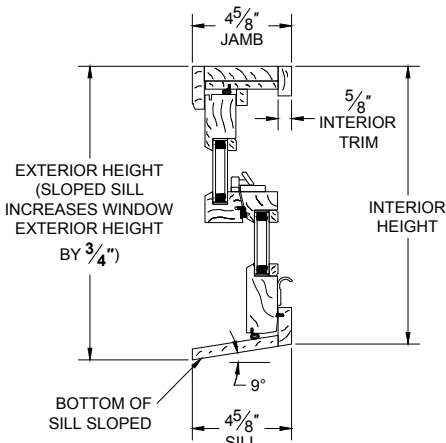


WOOD / cPVC POCKET INSERT, INTERIOR VS. EXTERIOR HEIGHT

NO INTERIOR SLIDING HALF SCREEN

L200 / EW200

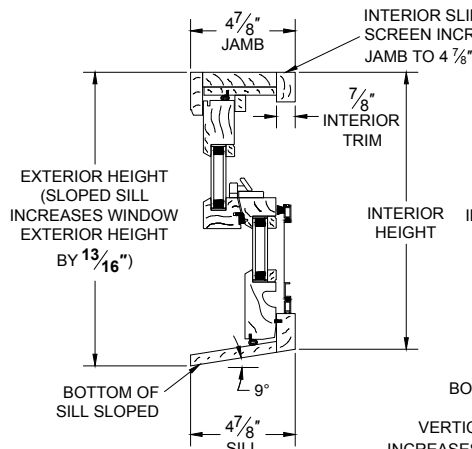
NO SCREEN STOP
NO VERTICAL MULL CAP
NO INTERIOR SLIDING HALF SCREEN



WITH INTERIOR SLIDING HALF SCREEN

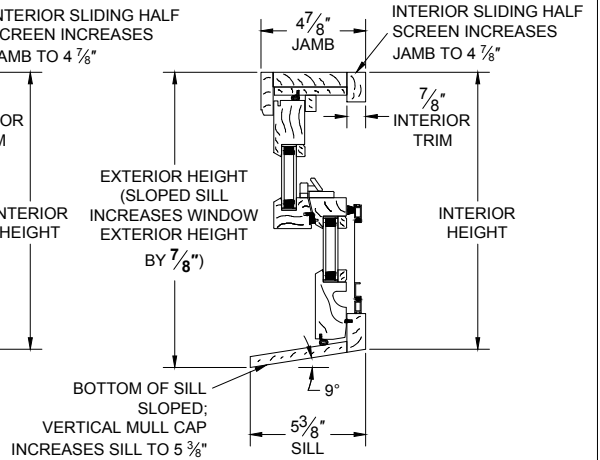
L200

NO SCREEN STOP
NO VERTICAL MULL CAP
WITH INTERIOR SLIDING HALF SCREEN



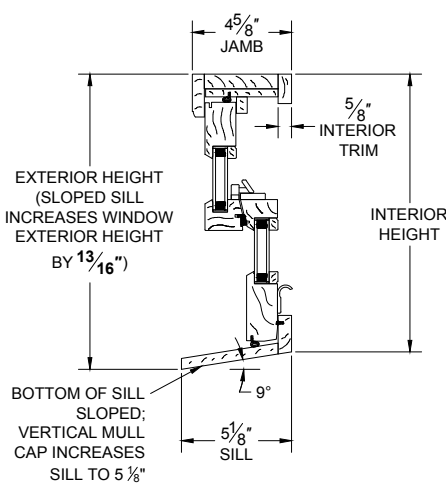
L200

NO SCREEN STOP
WITH VERTICAL MULL CAP
WITH INTERIOR SLIDING HALF SCREEN



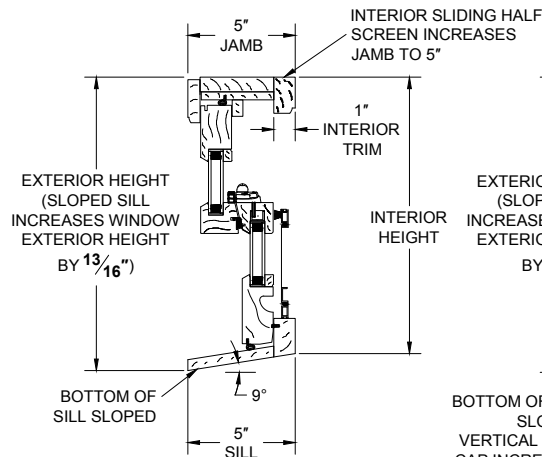
L200 / EW200

NO SCREEN STOP
WITH VERTICAL MULL CAP
NO INTERIOR SLIDING HALF SCREEN



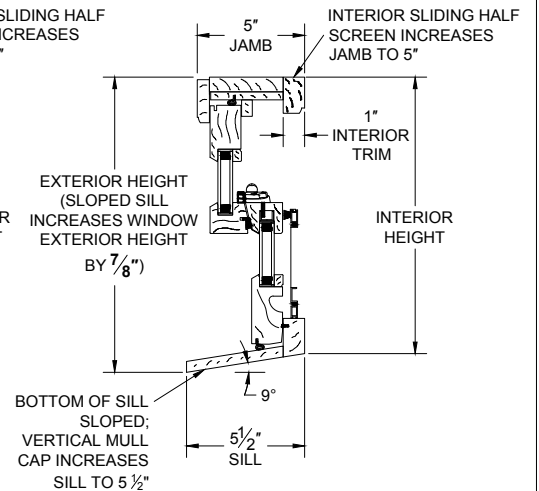
EW200

NO SCREEN STOP
NO VERTICAL MULL CAP
WITH INTERIOR SLIDING HALF SCREEN



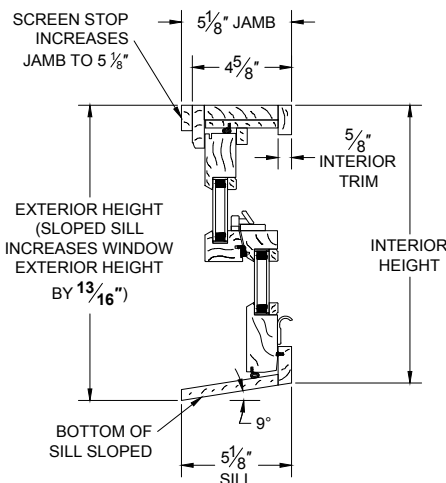
EW200

NO SCREEN STOP
WITH VERTICAL MULL CAP
WITH INTERIOR SLIDING HALF SCREEN



L200 / EW200

WITH SCREEN STOP
WITH OR WITHOUT VERTICAL MULL CAP
NO INTERIOR SLIDING HALF SCREEN



TRIMLINE REQUIRES INTERIOR HEIGHT TO BE PROVIDED FOR QUOTES AND ORDERS

THE INFORMATION CONTAINED IN THIS DRAWING IS THE SOLE PROPERTY OF TRIMLINE WINDOWS INC. ANY REPRODUCTION IN PART OR AS A WHOLE WITHOUT THE WRITTEN PERMISSION OF TRIMLINE WINDOWS INC. IS PROHIBITED.



50 LOUISE DRIVE
IVYLAND, PENNSYLVANIA 18974

DESCRIPTION:

LIBERTY WOOD DETAIL SHEET

CUSTOMER:

SIZE: A

PROJECT:

DRAWN BY: L.Z.

DATE: 7/24/19

DWG #: A-120-B