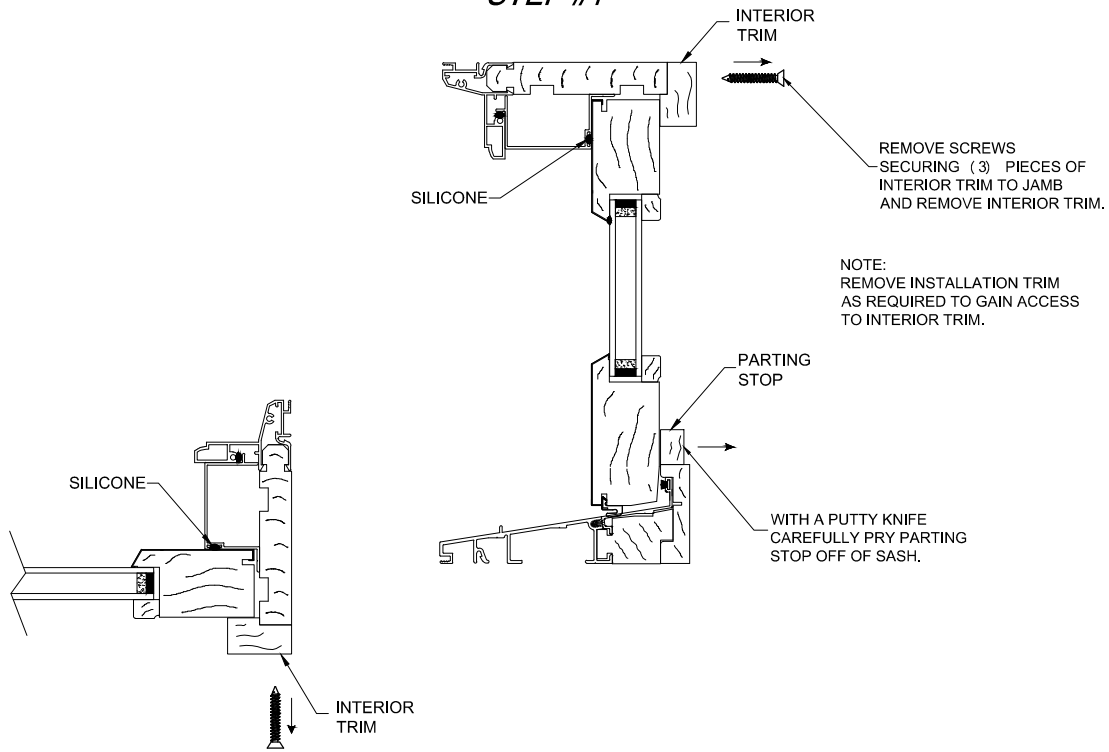
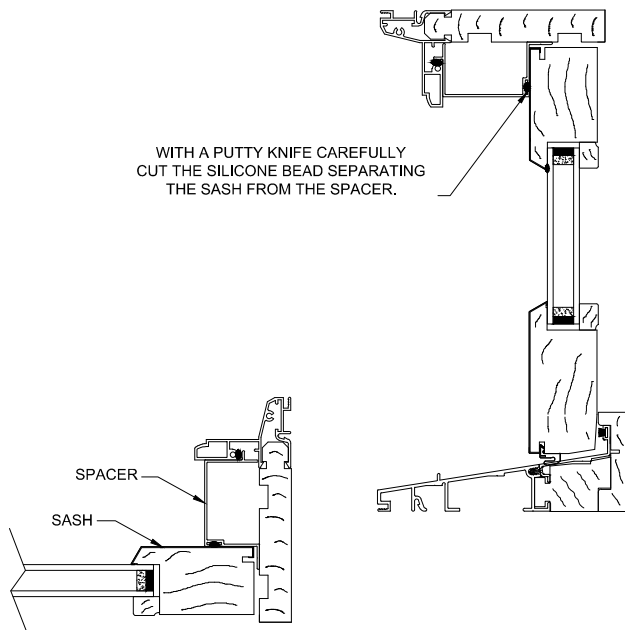


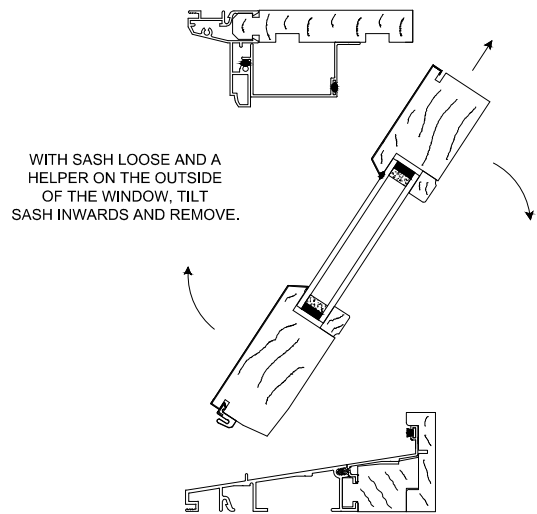
STEP #1



STEP #2



STEP #3



NOTE:
 WHEN INSTALLING NEW SASH, FIRST APPLY NEW SILICONE ALONG INDICATED LOCATIONS. USING A HELPER ON THE EXTERIOR OF THE WINDOW, PLACE NEW SASH IN POSITION AND RE-INSTALL INTERIOR TRIM AND PARTING STOP BEFORE SILICONE "SETS".

THE INFORMATION CONTAINED IN THIS DRAWING IS THE SOLE PROPERTY OF TRIMLINE WINDOWS INC. ANY REPRODUCTION IN PART OR AS A WHOLE WITHOUT THE WRITTEN PERMISSION OF TRIMLINE WINDOWS INC. IS PROHIBITED.



DESCRIPTION:
 DR300PW, EC300PW, DR200PW & EC200PW SASH REMOVAL

CUSTOMER:			
SIZE: A	SCALE: N.T.S.	SHEET: 1 OF 1	
DRAWN BY: J.R.S.	DATE: 7/23/18	DWG #:	