

INSTALLATION INSTRUCTIONS

POCKET INSERT REPLACEMENT



APPLICABLE MODELS

DR200

C3000

DR2PW

CP3000

EC200

AW3000

EC2PW

POCKET INSERT INSTALLATION FROM THE INTERIOR

APPLICABLE MODELS

DR200

DR2PW

EC200

C3000

CP3000

AW3000

Proper alignment, anchoring, insulation and sealing are critical to installation performance. Missed attention to detail will result in poor window performance including, but not limited to: difficult operation, air leakage, water penetration to the interior, and reduced structural performance in high winds.

Due to field variables unknown to this window manufacturer, the appropriate installation method and thoroughness is ultimately the responsibility of you, your architect and/or construction professional.

Eliminate callbacks. Install properly.

EXPECTATIONS

- Installer(s)
 - Have fundamental carpentry skills, tools, and experience.
 - Follow all instruction details.
 - Implement safe jobsite practices such as, but not limited to, wearing eye & ear protection and safe height practices.
 - Use safe work practices
 - For pre-1978 constructed residences (potential lead paint), proper certification is required (<https://www.epa.gov/lead/lead-laws-and-regulations>) and procedure is followed.
 - Flashings/wraps and sealants applied to clean, dry surfaces.

Accessories provided: (Typically):	Materials Needed: (Typically):	Basic tools needed: (Typically):
<ul style="list-style-type: none"> • Installation screws • Jambliner caps • Foam wrap (optional) • Sill angle 	<ul style="list-style-type: none"> • Fasteners (to be specified in instruction) • Sealants • Insulation • Shims 	<ul style="list-style-type: none"> • Utility knife • Tape measure • Hammer • Putty knife • Hand power drill • Level(s) • Other fundamental carpenter's hand tools

INSTALLATION OVERVIEW

1. Pre-Installation
2. Remove old sash
3. Preparing opening
4. Window installation
5. Insulating and sealing to interior
6. Sealing exterior

INSTALLATION DETAIL

1. Pre-Installation. Verify sash opening to specified dimensions and trueness. The opening needs to be realistically precise such that:
 - Horizontals are level, straight and equal length
 - Verticals are plumb, straight and equal length
 - Diagonals are equal length
 - Verify the new window is the correct size and there are no defects and the window operates properly

<p>A) Verify sash opening measures $\frac{1}{2}$" wider & $\frac{3}{8}$" taller than new window frame</p>	<p>B) Verify sash opening is square: Diagonal measurements should be equal.</p>	<p>C) Verify existing sill is level and not bowed. Verify side jambs are plumb and straight</p>
---	---	---

2. Remove Old Wood Sashes

- Remove interior stops (stops may be reused for new window installation)
- Remove bottom sash
- Remove parting stop (jamb & head) by pulling or prying
- Remove top sash

3. Prepare The Window Opening

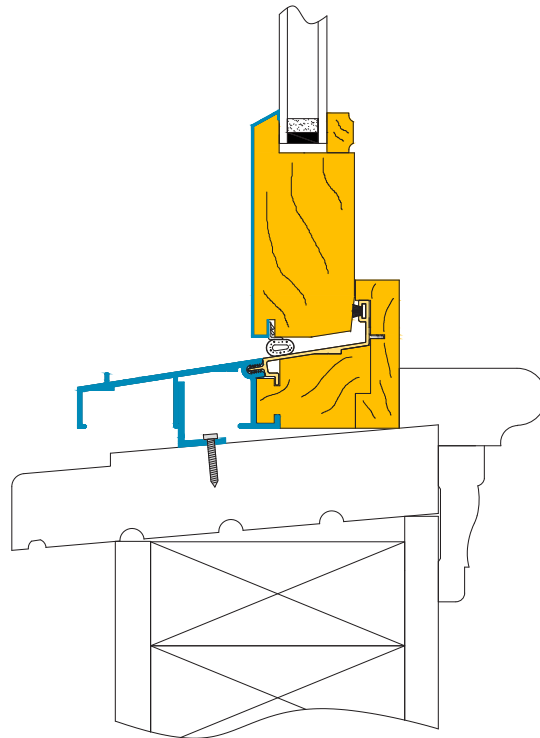
- Re-confirm dimensions of existing sash opening, that it is square, and that there is no rotted wood.
- Sequence of alignment (level, plumb, and square) can vary by your preference, however all must be verified since precise alignment is critical for proper operation and performance.
 - Cut old balance cords and remove pulleys and let weights fall to bottom of weight box
 - Insulate inside the weight box with fiberglass or minimally expansive spray foam.
 - Apply flashing tape to the existing sill extending 6” to 8” up the jambs and to the exterior face of existing window stool. Do not extend tape past interior face of existing exterior blind stop.
 - Clean the opening of any dirt or excess paint
 - Check existing sill for level or crowning and shim as needed
 - Place level on top of window head jamb and adjust setting shims if necessary to level unit. Place level vertically alongside jamb to verify plumbness and that side jambs are straight. Adjust as needed with temporary interior shims at midheight. Verify for square by measuring diagonals - should measure equally.

4. Window Installation

Install provided sill adapter:

- Attach (using screws) sill adapter to existing wood sill at point even with face of existing blind tops so that vertical legs of sill adapter is in line with vertical edge of blind top.
- Dry fit new window in opening making sure vertical leg at underside of new window sill will overlap the sill adapter. See [Fig. 1](#).

Fig. 1



- Apply a continuous 3/8" bead of sealant to the interior side of the exterior blind stop at the head and both side jambs. See Fig. 2.
- Also apply a bead of sealant to the exterior face of the existing window stool where it meets the existing window sill and along the corners of the existing sill at both vertical jambs up to the blind stop.
- Insert new window in existing sash pocket, setting the bottom of the window in first (again making sure the new window sill overlaps the sill adapter) and then push top of window into place.



- Be sure the window is centered and then firmly press window against sealant on blind stop at vertical jambs and parting stop at the head, creating a weather-tight seal around the entire window.
- For DR200, shim at each of (6) pre-drilled hole locations (above holes) and insert supplied installation screws into pre-drilled holes on one side at top and at opposite side at bottom (raise bottom sash to access pre-drilled hole)
- Verify window is level and sits square in the opening by measuring diagonally making any adjustments to shims.
- Tilt in bottom sash to install installation screws at center pre-drilled installation holes.
- Once all screws are installed and a final check of the operation of the window has been made, install the provided snap-in plastic hole covers.
- Insulate between the new window frame at the jamb and head using minimally expansive window and door spray foam or fiberglass insulation. Once foam has cured, re-check operation of sashes.
- Reinstall old interior stops or install new interior stops

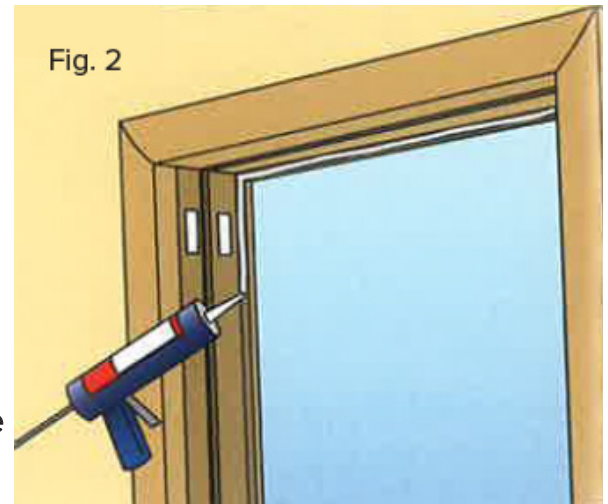


Fig. 2



TRIMLINE

WINDOWS & DOORS

trimlinewindows.com

Trimline Windows, Inc.
50 Louise Drive | Ivyland, PA 18974
Phone (215) 672-5233 • info@trimlinewindows.com
www.trimlinewindows.com