



# Permanent Sash Limiter Installation for Double Hung Windows

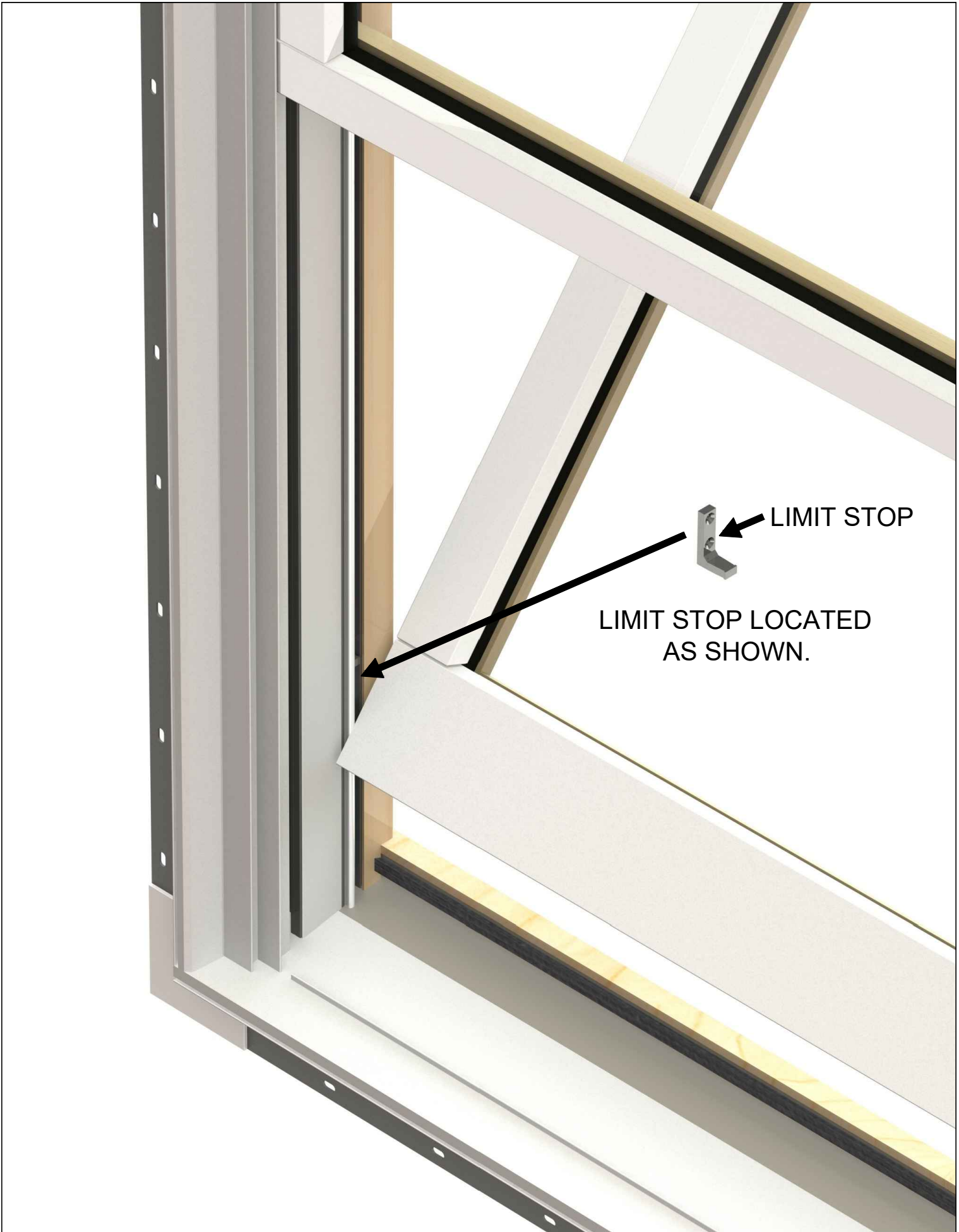
Does Not Meet ASTM F2090



RAISE LOWER SASH  
TO DESIRED HEIGHT

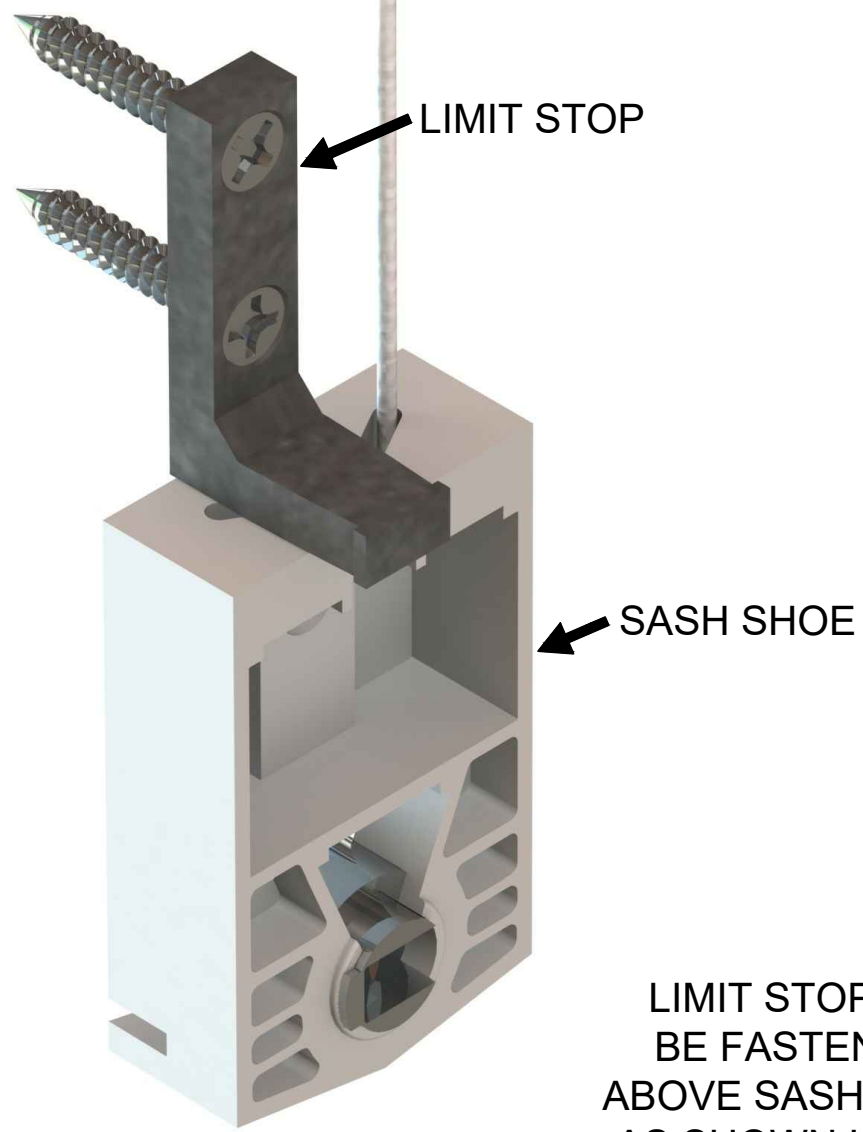
TILT LOWER SASH  
AS SHOWN





LIMIT STOP

LIMIT STOP LOCATED  
AS SHOWN.



LIMIT STOP

SASH SHOE

LIMIT STOP TO  
BE FASTENED  
ABOVE SASH SHOE  
AS SHOWN USING  
(2) WOOD SCREWS.