

THE INFORMATION CONTAINED IN THIS DRAWING IS THE SOLE PROPERTY OF TRIMLINE WINDOWS INC. ANY REPRODUCTION IN PART OR AS A WHOLE WITHOUT THE WRITTEN PERMISSION OF TRIMLINE WINDOWS INC. IS PROHIBITED.

TRIMLINE
CUSTOM WINDOWS
50 LOUISE DRIVE
IVYLAND, PENNSYLVANIA 18974

DESCRIPTION:

PANNING OPTIONS

CUSTOMER:

SIZE: A

SCALE: 1-1/2" = 1'-0"

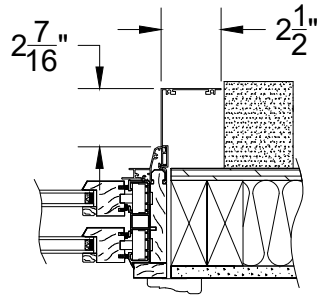
PROJECT:

DRAWN BY: L.Z.

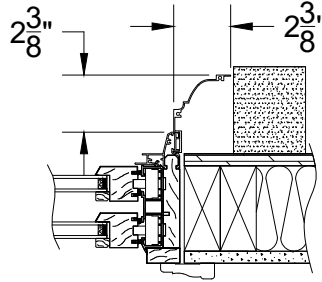
DATE: 1.31.23

DWG #:

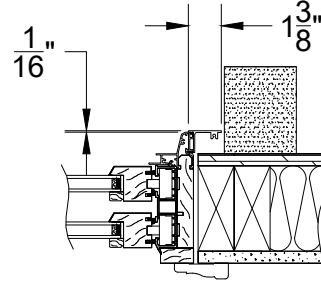
90 DEGREE POX PANNING



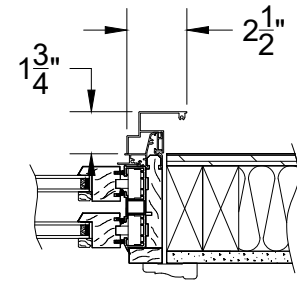
CAMBRIDGE PANNING LOOKALIKE



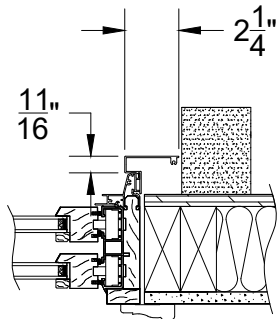
KENSINGTON MILL



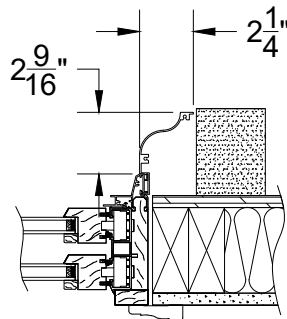
STEP



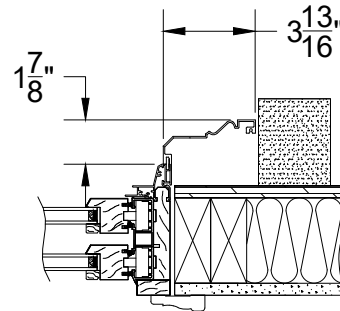
#140



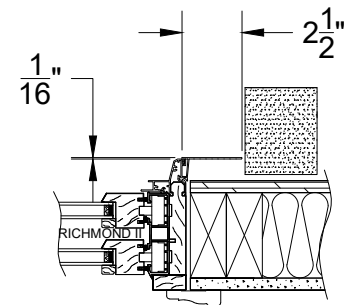
COLONIAL



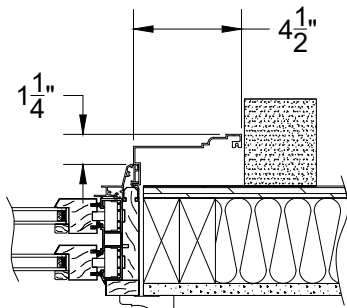
LORELTON



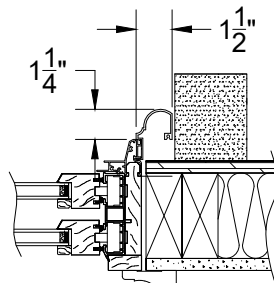
ARLINGTON I



4-1/2" WILLIAMSBURG



FAIRFAX



THE INFORMATION CONTAINED IN THIS DRAWING IS THE SOLE PROPERTY OF TRIMLINE WINDOWS INC. ANY REPRODUCTION IN PART OR AS A WHOLE WITHOUT THE WRITTEN PERMISSION OF TRIMLINE WINDOWS INC. IS PROHIBITED.

TRIMLINE
CUSTOM WINDOWS
50 LOUISE DRIVE
IVYLAND, PENNSYLVANIA 18974

DESCRIPTION:

PANNING OPTIONS

CUSTOMER:

SIZE: A

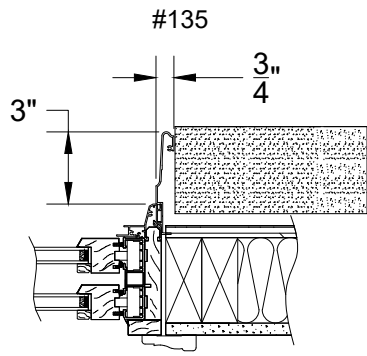
SCALE: 1-1/2" = 1'-0"

PROJECT:

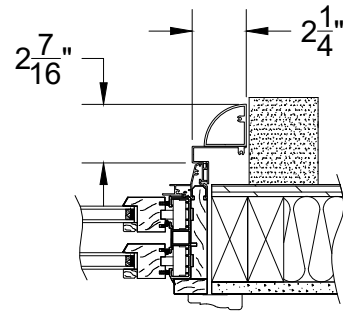
DRAWN BY: L.Z.

DATE: 1.31.23

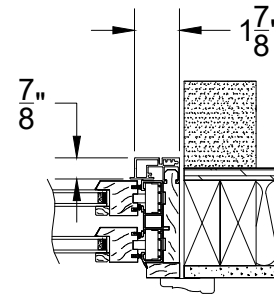
DWG #:



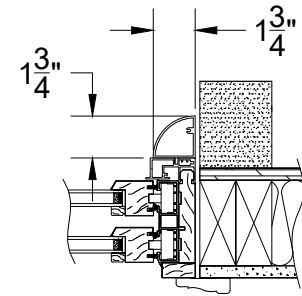
#140 PANNING WITH QUARTER ROUND



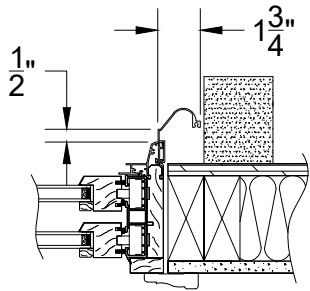
FLAT FRAME



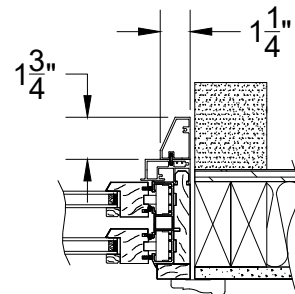
FLAT FRAME WITH QUARTER ROUND PANNING



RICHMOND I



FLAT FRAME WITH #231 PANNING



THE INFORMATION CONTAINED IN THIS DRAWING IS THE SOLE PROPERTY OF TRIMLINE WINDOWS INC. ANY REPRODUCTION IN PART OR AS A WHOLE WITHOUT THE WRITTEN PERMISSION OF TRIMLINE WINDOWS INC. IS PROHIBITED.

TRIMLINE
CUSTOM WINDOWS
50 LOUISE DRIVE
IVYLAND, PENNSYLVANIA 18974

DESCRIPTION:

PANNING OPTIONS

CUSTOMER:

SIZE: A

SCALE: 1-1/2" = 1'-0"

PROJECT:

DRAWN BY: L.Z.

DATE: 1.31.23

DWG #: