

THE INFORMATION CONTAINED IN THIS DRAWING IS THE SOLE PROPERTY OF TRIMLINE WINDOWS INC. ANY REPRODUCTION IN PART OR AS A WHOLE WITHOUT THE WRITTEN PERMISSION OF TRIMLINE WINDOWS INC. IS PROHIBITED.

TRIMLINE
CUSTOM WINDOWS
50 LOUISE DRIVE
IVYLAND, PENNSYLVANIA 18974

DESCRIPTION:

PANNING OPTIONS

CUSTOMER:

SIZE: A

SCALE: 1-1/2" = 1'-0"

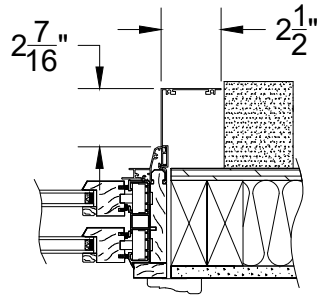
PROJECT:

DRAWN BY: L.Z.

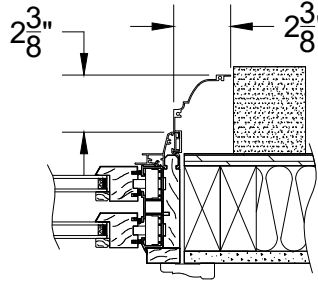
DATE: 2.28.23

DWG #:

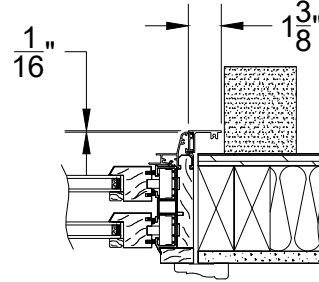
90 DEGREE BOX



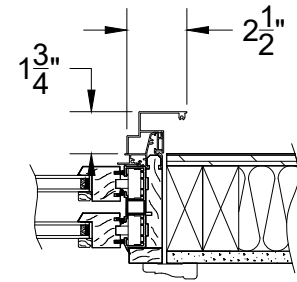
CAMBRIDGE LOOKALIKE



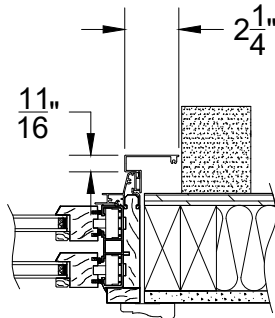
#136



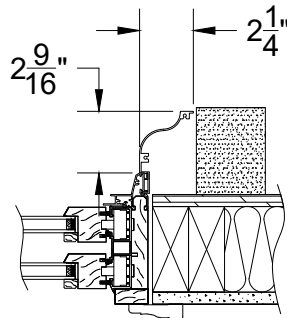
STEP



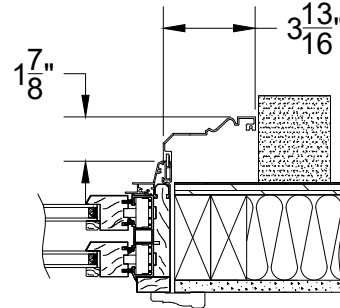
#140



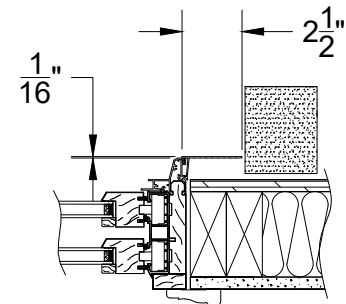
COLONIAL



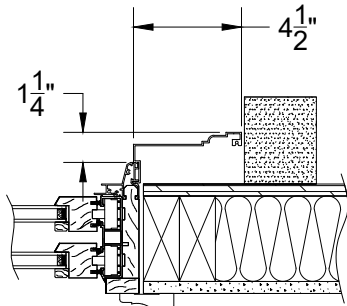
LORELTON



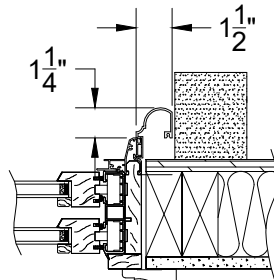
ARLINGTON I



4-1/2" WILLIAMSBURG



FAIRFAX



THE INFORMATION CONTAINED IN THIS DRAWING IS THE SOLE PROPERTY OF TRIMLINE WINDOWS INC. ANY REPRODUCTION IN PART OR AS A WHOLE WITHOUT THE WRITTEN PERMISSION OF TRIMLINE WINDOWS INC. IS PROHIBITED.

TRIMLINE
CUSTOM WINDOWS
50 LOUISE DRIVE
IVYLAND, PENNSYLVANIA 18974

DESCRIPTION:

PANNING OPTIONS

CUSTOMER:

SIZE: A

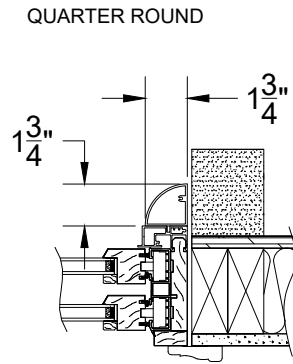
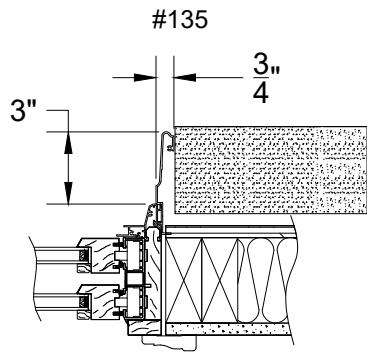
SCALE: 1-1/2" = 1'-0"

PROJECT:

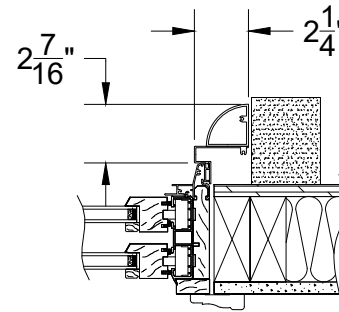
DRAWN BY: L.Z.

DATE: 2.28.23

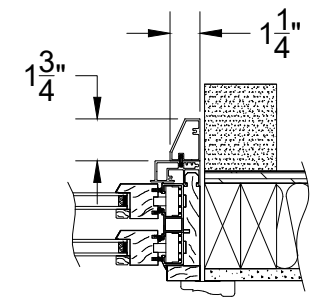
DWG #:



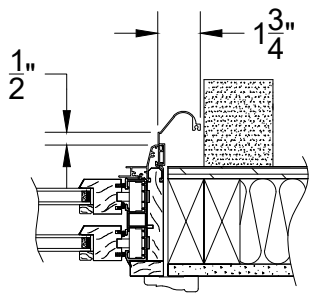
#140 AND QUARTER ROUND COMBO




#231 TRAPEZOIDAL



RICHMOND I



<p>THE INFORMATION CONTAINED IN THIS DRAWING IS THE SOLE PROPERTY OF TRIMLINE WINDOWS INC. ANY REPRODUCTION IN PART OR AS A WHOLE WITHOUT THE WRITTEN PERMISSION OF TRIMLINE WINDOWS INC. IS PROHIBITED.</p>	<p>DESCRIPTION: PANNING OPTIONS</p>		
 <p>TRIMLINE CUSTOM WINDOWS 50 LOUISE DRIVE IVYLAND, PENNSYLVANIA 18974</p>	<p>CUSTOMER:</p>		
	<p>SIZE: A</p>	<p>SCALE: 1-1/2" = 1'-0"</p>	<p>PROJECT:</p>
	<p>DRAWN BY: L.Z.</p>	<p>DATE: 2.28.23</p>	<p>DWG #:</p>