



PREMIUM DOUBLE HUNG

ALL-WOOD & CLAD-WOOD WINDOWS





A product has never been more aptly named...Trimline's Eclipse² double hung truly does "surpass and outshine" its competition with a look that's out of this world. The richly appointed Eclipse² double hung has the look and feel of wood windows from a by gone era. The Eclipse² blends the ageless style and warmth of a wood interior with the convenience of E-Z tilt sash, a maintenance free aluminum clad exterior and the energy efficiency you'd expect to find in today's windows. The Eclipse² double hung features standard combination tilt-lock hardware that is available in a choice of four finishes. Both sash travel in a concealed track system designed to preserve a more authentic looking wood sash pocket, reminiscent of a look and feel from a time ago. Elegantly styled sash lifts or routed finger lifts complete the hardware appointments. All models are furnished standard in pine with Trimline's insulating glass system with EnerEDGE[®] warm-edge spacer and argon gas.

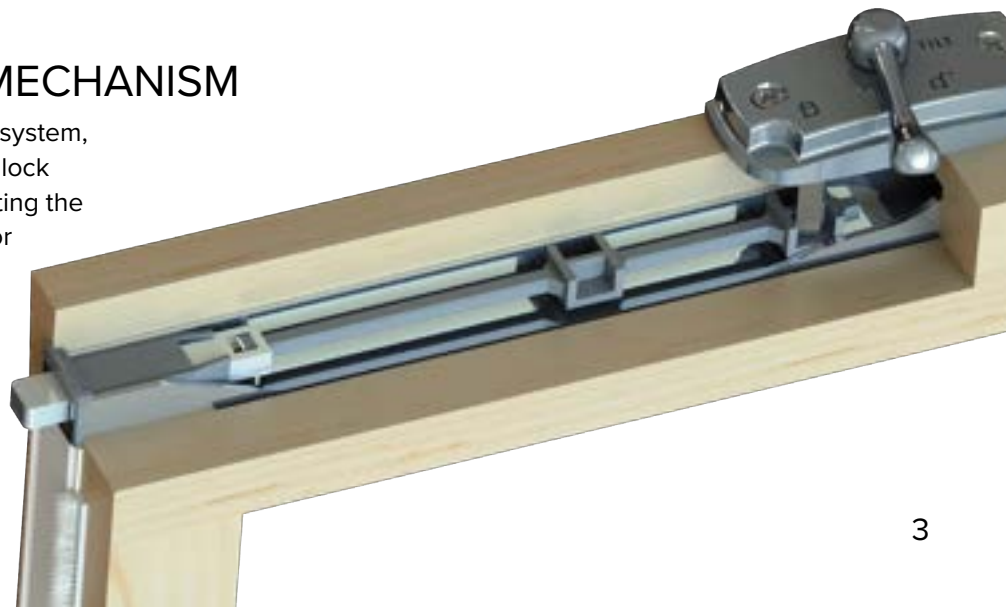
CONCEALED JAMBLINER





CONCEALED TILT-LOCK MECHANISM

The Eclipse² features a combination tilt-lock system, where the tilt mechanism is activated by the lock and is concealed within the lock rail, eliminating the need for surface mount tilt release latches for a neat, clean appearance.





DHC350 (EC300) SHOWN IN BEIGE WITH OPTIONAL 3 1/2" WILLIAMSBURG EXTERIOR CASING, 1 3/4" HISTORIC SILL AND 5/8" SDL GRILLE.

CLAD PRODUCTS

DHC250 (EC200) - Clad double hung with 3 1/4" replacement frame for sash pocket installations from the interior.

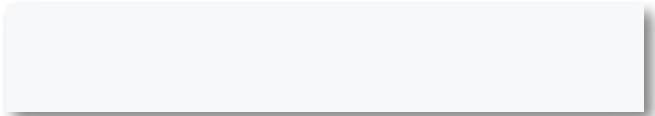
DPC250 (EC200PW) - Use as stand alone picture window or companion picture window with matching sight lines for combination with DHC250 units.

DHC350 (EC300) - Clad double hung with full 4 9/16" jamb for remodeling applications where a complete frame tear-out is required or for new construction with nail fin installation, or sash pocket installation from the exterior.

DPC350 (EC300PW) - Use as stand alone picture window or companion picture window with matching sight lines for combinations with DHC350 units.

DTC350 (EC300TR) - A transom window to be factory mulled with a DHC350.

EXTERIOR CLAD COLORS



WHITE



BEIGE



EARTHTONE



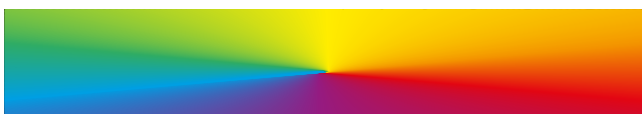
BRONZE



HUNTER GREEN



BLACK



Custom Colors Available

INTERIOR WOOD SPECIES



PINE (STANDARD)



SAPELE



OAK



CHERRY

INTERIOR WOOD CAN BE FACTORY PRIMED, PREFINISHED WHITE, OR PREFINISHED A CUSTOM COLOR. INTERIOR CAN ALSO BE LEFT UNFINISHED FOR STAINING.



**ENJOY THE BEAUTY
OF WOOD...
WITH A MAINTENANCE-FREE
CLAD EXTERIOR.**

The insulating qualities of wood provides a positive thermal break and can be painted or stained, while the weather resistant aluminum clad exterior provides years of maintenance-free durability.



ACCESSORY EXTERIOR CASING & PANNING SYSTEMS

The DHC350 (EC300) is designed for both residential and commercial remodeling applications where a full frame replacement is required or for sash pocket installations where an extruded aluminum panning system can be used to cover the old window casings. The DHC350 (EC300) is also ideal for use in renovations where the old window has been completely removed, and an accessory brickmoulding is required to fill the void left from the old window casings. Custom designed exterior casing and panning profiles are available.



SASH POCKET INSTALLATION WITH EXTRUDED ALUMINUM "MERIDIAN" PANNING



WP 908



ARLINGTON II



RICHMOND II



CAMBRIDGE



MERIDIAN



WILLIAMSBURG



HUNTINGDON

CUSTOM PROFILES AVAILABLE

CLAD ANGLE BAY WINDOWS

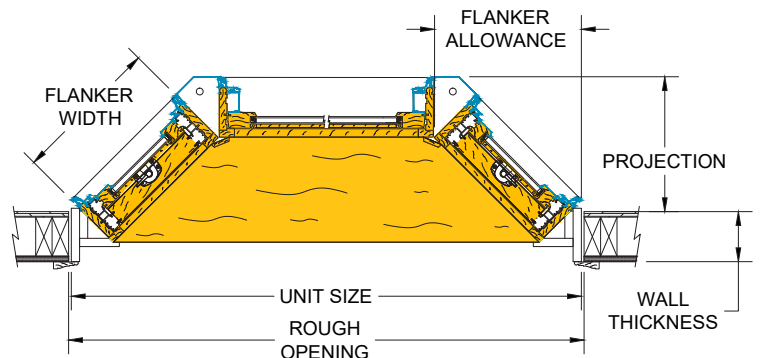
Angle bays are available with either picture window or double hung centers which can be arranged in a variety of combinations by choosing from four different flanker widths and with 30° or 45° degree mullion angles. Available in pine or oak interior.



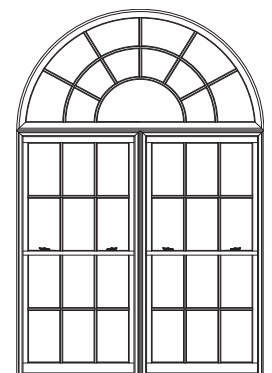
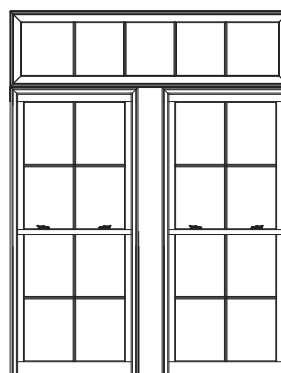
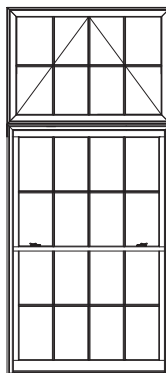
BAY WINDOW PROJECTIONS

The projection of a custom bay window is the measurement taken from the outside face of the exterior building sheathing to the furthest outside point of the window. It is determined by the mullion angle and the flanker width specified as shown in the angle bay projection guide below. The size of the center unit is also determined by mullion angle and flanker width. It is determined by subtracting the total flanker allowance (flanker allowance x 2) from the overall unit opening with.

ANGLE BAY GUIDE			
ANGLE	FLANKER WIDTH	TOTAL FLANKER ALLOWANCE	PROJECTION
30°	1'5"	35"	10-3/8"
	1'8"	40-1/4"	11-7/8"
	2'0"	47-1/8"	13-7/8"
	2'4"	54-1/8"	15-7/8"
45°	1'5"	31-3/4"	14-3/4"
	1'8"	36-1/8"	16-7/8"
	2'0"	41-3/4"	19-3/4"
	2'0"	47-1/2"	22-1/2"



COMBINATION UNITS



ALL WOOD

WOOD PRODUCTS

DHW250 (EW200) - Wood double hung with 4 5/8" - 5 1/8" replacement frame for sash pocket installations from the interior.

DPW250 (EPW200) - Use as stand alone picture window or companion picture window with matching sight lines for combination with DHW250 units.

DTW250 (EW200TR)- A transom window to be factory mulled with a DHW250.

DHW350 (EW300) - Wood double hung with full 4 9/16" jamb for remodeling applications where a complete frame tear-out is required or for new construction with nail fin installation.

DPW350 (EPW300) - Use as stand alone picture window or companion picture window with matching sight lines for combinations with DHW350 units.

DTW350 (EW300TR)- A transom window to be factory mulled with a DHW350.



DHW350SX1 (ERF400) SHOWN IN PINE WITH 7/8" SDL CUSTOM DECORATIVE GRILLE



DHW350/DTW350 (EW300/EW300TR) SHOWN IN SAPELE WITH OIL RUBBED BRONZE HARDWARE & 7/8" SDL GRILLE

WOOD SPECIES



PINE (STANDARD)



SAPELE

DOUBLE HUNG ARCH & HALF ROUNDS



DHW350SX1 (ERF400)⁽¹⁾
Arched
Frame & Sash



DHW350SX2 (ERS400)
Square Frame /
Arched Glass Line



DHW350SX3 (ERS400RB)
Square Frame /
Arched Glass Line w/ Radius Exterior
Casing



DHW350HX1 (ERF500)⁽²⁾
Half Round
Frame & Sash



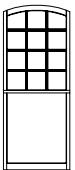
DHW350HX2 (ERS500)
Square Frame / Half Round
Glass Line



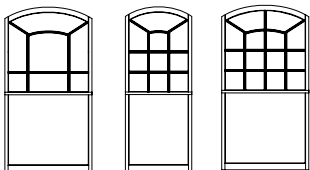
DHW350HX3 (ERS500RB)
Square Frame / Half Round Glass
Line w/ Half Round Exterior Casing

(1) DHW250SX1 (ERF200A) also available with replacement frame for sash pocket installation.
(2) DHW250HX1 (ERF200H) also available for replacement/sash pocket installation.
All above shown exterior view with standard 1" sill nose and standard 908 brickmould

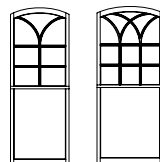
ARCH & HALF-ROUND GRILLE PATTERNS



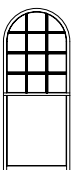
COLONIAL



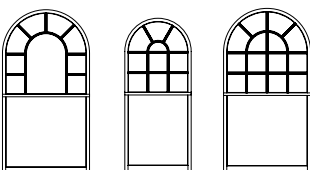
RENAISSANCE



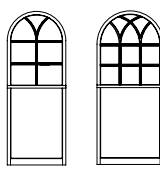
GOthic



COLONIAL



PALLADIAN



GOthic

OPTIONAL RADIUS INTERIOR CASINGS

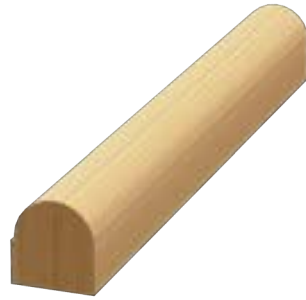
FOR USE WITH
DHW350SX1 (ERF400) &
DHW350HX1 (ERF500)



2 1/4"
Beaded
Colonial

3 1/4"
BEADED COLONIAL
9

WOOD EXTERIOR CASING



#6 - BULLNOSE
1 7/16" x 1 1/2"



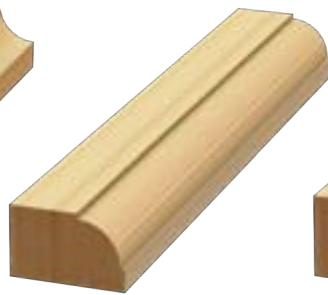
#1 - WP 908
1 1/4" x 2"



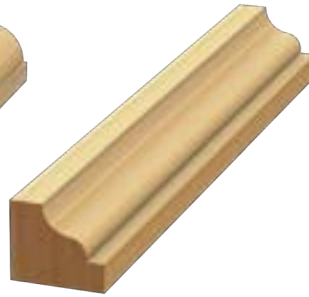
#4 - BEADED
1 1/4" x 2"



#9 - HARTFORD
1 3/8" x 1 5/8"



#7 - FAIRMONT
1 1/4" x 2"



#10 - JEFFERSON
1 5/8" x 1 3/8"



#12 - LEXINGTON
1 1/4" x 3 1/2"



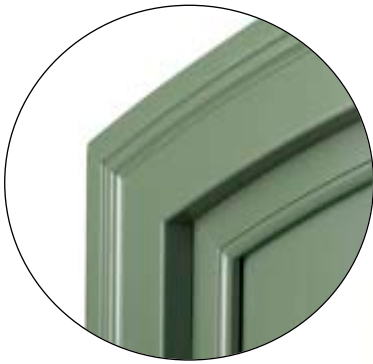
DHW250 (EW200)
1/2" REPLACEMENT SILL
NO BRICKMOULD



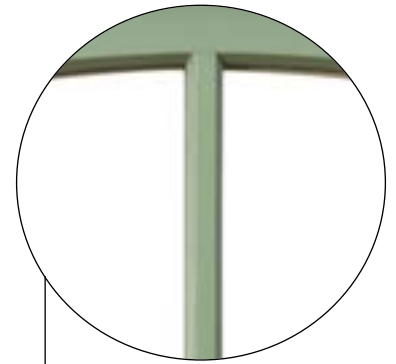
DHW350 (EW300)
1 1/8" STANDARD SILL
2" BEADED BRICKMOULD



DHW350 (EW300) WITH 1 3/4"
HISTORIC SILL
LEXINGTON BRICKMOULD



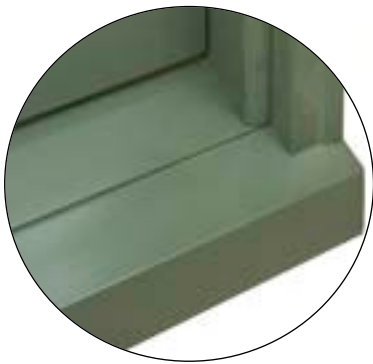
WP 908 BRICKMOULD



7/8" SDL



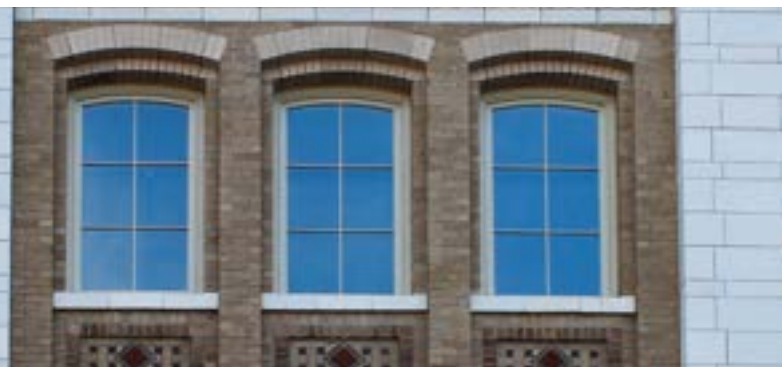
DHW350SX1
(ERF400)



OPTIONAL 1 3/4"
HISTORIC SILL NOSE



OPTIONAL HISTORIC SASH POCKET
COVER



FREEDOM FRAME

OPTIONAL NO-ROT CPVC

Trimline's no-rot "Freedom Frame System" is made from cPVC (cellular polyvinyl chloride) which is a type of rigid plastic foam material that has been engineered to imitate the properties of wood. It not only mimics most of wood's virtues but also gives you the "Freedom" from the maintenance that the exterior of a wood window frame routinely requires. The material can be cut, milled, nailed, screwed, shaped, routed and bent but unlike wood it is nonporous and will not warp, cup, twist, split, check or rot. The design and dimensions of the profiles used in the Freedom Frame system successfully achieves the classic look and feel of a traditional wood window frame. You can further compliment the character of the window and your home by selecting from your choice of 12 exterior brickmould styles which are available with each and every style, shape, and size of the Eclipse² series window. Further enhancing the traditional wood window look is the Freedom Frame's ultra smooth, moisture repellent surface which is pre-primed ready for acceptance of your finish coat or your Eclipse² window can be ordered prefinished with a high quality factory applied finish in virtually any color. The ability to bend and shape cPVC enable its use in a variety of processes and applications...and like wood, it can be cut, nailed, shaped, routed and bent.



DHW250 (EW200)
1/2" REPLACEMENT SILL
NO EXTERIOR CASING
NO SCREEN STOP



DHW350 (EW300)
1" STANDARD SILL
908 BRICKMOULD



DHW350 (EW300) WITH 1 3/4"
HISTORIC SILL NOSE
3 1/2" FLAT EXTERIOR CASING

cPVC EXTERIOR CASINGS



908
1 1/4" x 2"



908 w/ Foldable Nail Fin
1 1/4" x 2"



FLAT
1" x 3 1/2"



ADAMS
1" x 3 1/2"



SCREEN STYLES

AVAILABLE IN FIBERGLASS, WIRE, or UltraVue®

EXTERIOR
FULL SCREEN

EXTERIOR FIXED
HALF SCREEN

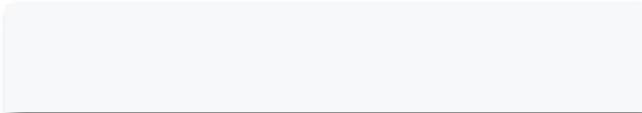


EXTERIOR SLIDING
HALF SCREEN
Available on DHC250 (EC200) only



INTERIOR SLIDING
HALF SCREEN*
Available on all products
*Bug "Deterrent"

SCREEN FRAME COLORS



WHITE



BEIGE



EARTHSTONE



BRONZE



HUNTER GREEN



BLACK

HARDWARE



TILT-LOCK



AVAILABLE FINISHES:

WHITE

BEIGE

BLACK

SATIN NICKEL

OIL RUBBED BRONZE



SASH LIFT SHOWN IN SATIN NICKEL



OPTIONAL ROUTED FINGER LIFTS

WOOD

All wood components are milled to precision and treated with a wood preservative and are paintable or stainable to match your existing woodwork and room decor. All exterior wood parts are factory primed.



CLADDING

For standard colors, the extruded aluminum frame is a spray applied PPG Polycron III finish meeting the physical test requirements of AAMA 2603. Standard colors are also available in optional 2605 finishes. The roll formed sash cladding is a reverse roll-coat system using 70% Kynar resin, meeting the physical test requirements of AAMA 2605. All custom colors meet the physical test requirements of AAMA 2605.



PRE FINISHING




Trimline utilizes a high-performance Sherwin-Williams product, Kem Aqua BP Enamel, a low-VOC polyurethane-acrylic enamel topcoat developed specifically for in-shop finishing of windows. Kem Aqua BP Enamel provides excellent adhesion on both wood and cPVC composites, with exceptional long-term exterior durability. Kem Aqua BP Enamel's unique resin technology provides excellent color and gloss retention so colors keep their original depth and gloss longer, meeting the strict requirements of both the American Architectural Manufacturers Association (AAMA) as well as the Window and Door Manufacturers Association (WDMA). A wide range of color options makes it easy to achieve clean whites, popular earth tones, and rich, custom colors...virtually any custom color can be matched.

At the heart of Trimline's prefinishing process is the Prime Heat Hal-Con curing tunnel which uses halogen short wave heating elements to convert electrical energy into shortwave infrared, which penetrates deeper and faster into the finish coating, promoting a more durable and consistently smoother finish by curing from the inside out.



FINISHING OPTIONS



	INTERIOR		EXTERIOR		
	PINE & SAPELE	OAK & CHERRY	CLAD	PRIMED	PREFINISHED
CLAD	PRIMED OR PREFINISHED	NATURAL UNFINISHED ONLY	6 STANDARD COLORS + CUSTOM COLORS		
WOOD	PRIMED OR PREFINISHED			STANDARD	OPTIONAL



CUSTOM TWO-TONE FINISHES AVAILABLE

FLAT IN-GLASS ALUMINUM

Maintenance-free $\frac{5}{8}$ " between the glass flat aluminum muntin in matching exterior cladding color. Also available in diamond lite patterns. Two-tone inglass grids are not available.

SCULPTURED IN-GLASS ALUMINUM

Maintenance-free $\frac{3}{4}$ " between the glass sculptured aluminum muntin in matching exterior cladding color. Two-tone inglass grids are not available.

WOOD REMOVABLE

Wooden removable interior grille available in $\frac{5}{8}$ " or $\frac{7}{8}$ " w/ clear plastic clips.

SIMULATED DIVIDED LITE

An authentic "putty glaze" look is achieved with the simulated divided lite (SDL) grille package in either $\frac{5}{8}$ " or $\frac{7}{8}$ " widths. The standard SDL system included permanently applied exterior aluminum/wood/cPVC muntins with the choice of removable or permanently applied wooden interior grilles. Also available with optional in-glass bronze spacer bar as shown.

TRUE DIVIDED LITE

Divides sash into individual panes of glass.

STANDARD GRILLE WIDTHS



$\frac{5}{8}$ "



$\frac{7}{8}$ "



1 $\frac{1}{4}$ "



1 $\frac{1}{2}$ "



1 $\frac{1}{8}$ "

SASH OPTIONS

OPTIONAL 1 3/4" THICK SASH

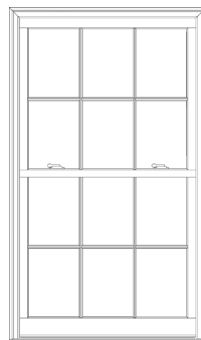


OPTIONAL COPED GRILLE
(MUST BE SPECIFIED)

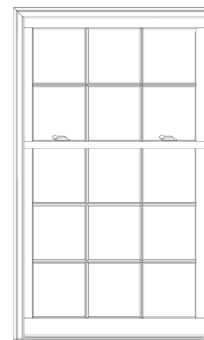


All Eclipse² Double Hung windows are available in equal, cottage, or reverse cottage sash configurations.

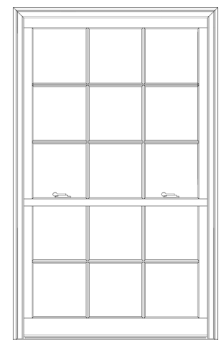
BOTTOM SASH RAIL



EQUAL



40/60



60/40

CUSTOM SASH CONFIGURATIONS
AVAILABLE

WOCD

An optional Window Operating Control Device is available on all double hung products and serves as a safety feature to only allow the bottom sash to open less than 4 inches when activated, meeting the specifications of ASTM F29090-10 .



FEATURES & BENEFITS



REMODELING OR NEW CONSTRUCTION
DHC350 / DHW350 (EC300 / EW300)

- For new openings or remodeling installations requiring complete frame tear-out
- Standard 4 $\frac{9}{16}$ " jamb depth
- Applied extension jambs up to 7 $\frac{1}{2}$ "
- Factoring mulling with historic spread mull options
- Choice of factory applied exterior casings
- Optional 1 $\frac{3}{4}$ " historic sill nose
- Optional snap-in pre-slotted hinged vinyl installation flange (DHC350)
- Factory mulling with continuous sill up to 12' on EW300



POCKET INSERT
DHC250 / DHW250 (EC200 / EW200)

- DHC250 (EC200)
- 3 $\frac{1}{4}$ " stepped jamb for sash pocket insert installation from the interior
 - Frame thickness is $\frac{11}{16}$ " at jamb and head
 - Overall sash thickness 1 $\frac{7}{16}$ "
- DHW250 (EW200)
- Jamb depth of 4 $\frac{9}{16}$ " with optional screen stop: 5 $\frac{1}{16}$ "
 - Overall sash thickness of 1 $\frac{1}{2}$ "
 - Sill is $\frac{1}{2}$ " thick on a 9 degree angle and is designed for a sash pocket insert installation from the exterior (existing blind stop may need to be trimmed)
 - Exterior window height is $\frac{1}{16}$ " greater than interior height



ALL WOOD

DHW250 / DHW350 (EW200 / EW300)

- Blindstop, Simulated Divided Light, Sill and optional Screen stop are manufactured from western pine or sapele (optional cPVC available)
- Optional No-rot cPVC Freedom Frame
- Twelve no-rot cPVC brickmould styles to choose from or custom profiles
- Snap-fit brickmould profiles available
- Freedom Freedom accepts snap-in folding nail-flange



CLAD

DHC250 / DHC350 (EC200 / EC300)

- The insulating qualities of wood provides a positive thermal break and can be painted or stained while the weather resistant aluminum clad exterior provides years of maintenance free durability.
- All frame exterior parts are of .060 maintenance-free extruded aluminum and mitered corners are silicone filled and tightly joined mechanically with concealed corner key.
- A thermally broken tri-plex sill system of wood, extruded aluminum and vinyl is mechanically fastened, gasket and silicone sealed to the jamb
- For standard colors, the extruded aluminum is spray applied PPG Polycron III finish meeting the physical test requirements of AAMA 2603. The roll formed sash cladding is a reverse roll-coat system using 70% Kynar resin, meeting the physical test requirements of AAMA 2605.
- All custom colors meet the physical test requirements of AAMA 2605.

SIZE LIMITATIONS

	Min. Width	Min. Height	Max Width	Max Height	Max U.I.
EW200	14"	24"	48"	84"	132"
EW300	14"	24"	54"	96"	156"
EPW200	14"	24"	60"	84"	144"
EPW300	14"	24"	72"	96"	156"
EC200	14"	24"	48"	84"	132"
EC300	14"	24"	48"	84"	132"
EC200PW	14"	14"	84"	96"	132"
EC300PW	14"	14"	84"	96"	156"

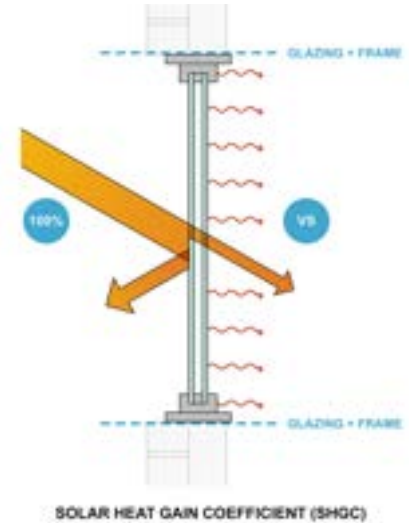
CONTACT TRIMLINE FOR SIZES OUTSIDE OF THE RANGES

PERFORMANCE

U-Factor measures how well a product prevents heat from escaping a home or building. U-Factor ratings generally fall between 0.20 and 1.20. The lower the U-Factor, the better a product is at keeping heat in.

Solar Heat Gain Coefficient (SHGC) measures how well a product blocks heat from the sun. SHGC is expressed as a number between 0 and 1. The lower the SHGC the better the product is at blocking unwanted heat gain. This is especially important during the summer cooling season.

Visible Transmittance (VT) measures how much light comes through a product. The higher the VT the higher the potential for day lighting.



	Performance									Air Infiltration	Performance Class-Grade Design Pressure
	U-Factor		No Grids		Grids <1"		TDL		CRF		
	No Grids or <1" Grids	TDL Grids	SHGC	VT	SHGC	VT	SHGC	VT			
Clad											
DHC250 (EC200) Cardinal 270 Cardinal 270 + i89	.30 .27		.28 .27	.50 .49	.25 .24	.44 .43			57 47	.08 cfm/ft ²	LC-45 DP45
DHC350 (EC300) Cardinal 270 Cardinal 270 + i89	.29 .26		.28 .27	.50 .49	.25 .24	.44 .43			57 47	.08 cfm/ft ²	LC-45 DP45
EC200PV, EC300PV Comfort E Comfort E Plus	.29 .26		.29 .28	.52 .51	.26 .26	.47 .45			59 48	.03 cfm/ft ²	CW-60 DP60
Wood											
EW200 Cardinal 270 Cardinal 270 + i89	.28 .25	.33 .31	.28 .27	.50 .49	.25 .24	.44 .43	.22 .22	.39 .38	57 47	.14 cfm/ft ²	LC-40 DP40
ERS200A, ERS200H, ERF200A, ERF200H Cardinal 270 Cardinal 270 + i89	.28 .25	.33 .31	.28 .27	.50 .49	.25 .24	.44 .43	.22 .22	.39 .38	57 47	.14 cfm/ft ²	LC-40 DP40
EW300, ERS400, ERS400RB, ERS500, ERS500RB, ERF400, ERF500 Cardinal 270 Cardinal 270 + i89	.29 .26	.33 .31	.28 .27	.49 .48	.25 .24	.44 .42	.22 .22	.38 .37	57 47	.14 cfm/ft ²	LC-40 DP40
EPW200, ERSPW200A, ERSPW200H, ERFPW200A, ERFPW200H Cardinal 270 Cardinal 270 + i89	.28 .24	.33 .30	.29 .28	.52 .51	.26 .26	.46 .45	.24 .23	.41 .40	60 49	<.01 CFM/ft ²	CW-40 DP40
EPW300, ERSPW400, ERSPW400RB, ERSPW500, ERSPW500RB, ERFPW400, ERFPW500 Cardinal 270 Cardinal 270 + i89	.28 .25	.33 .30	.29 .28	.52 .51	.26 .26	.46 .45	.24 .23	.41 .40	60 49	<.01 CFM/ft ²	CW-40 DP40

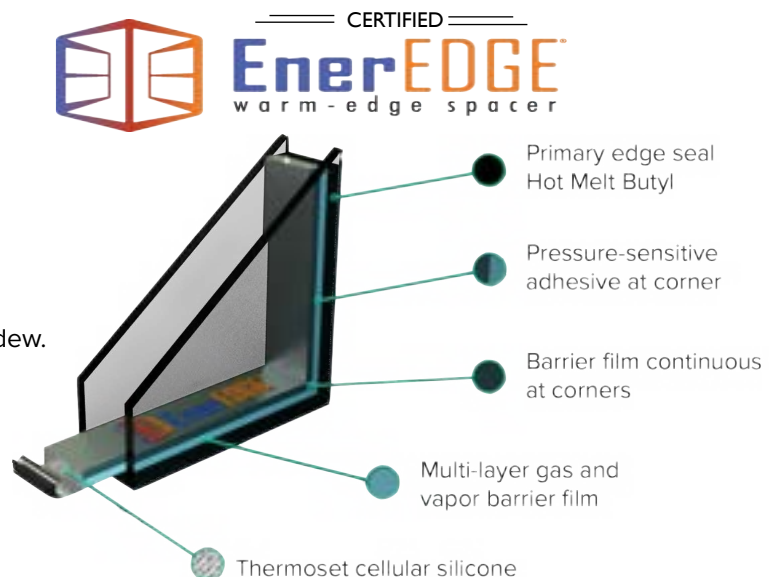


The rate of heat loss through a window is determined by the U-Factor (U-Value). The lower the U-Value number, the better the insulating properties. In the same spectrum, the better the insulating properties, the more money will be saved on heating and cooling costs. When windows account for almost one quarter of household energy, investing in a Trimline window is the perfect solution. Upgrading your current windows with professionally installed windows with Low-e glass filled with argon gas can result in an average savings of 7%-15% on your annual energy bill.

Warm Edge refers to the type of spacer material used to separate the panes of glass in an insulating unit. Many of today's energy efficient windows offer glass packages touting "Warm Edge Technology"... the problem is, these new windows often use thermally conductive metal-based spacers in their insulating glass systems.

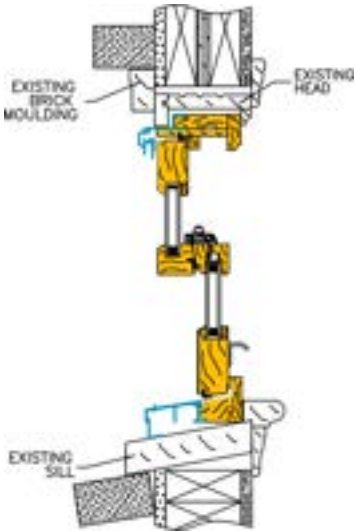
Homeowner Benefits

- Increased comfort - any climate, any season.
- Reduced heating and cooling bills.
- Protection from UV rays that can fade carpet, walls and furniture.
- Color- neutral for crisp, clear views.
- Helps keep indoor humidity at comfortable and healthy levels by keeping glass warmer, which in turn minimizes health issues caused from mold and mildew.
- Warm-edge spacer virtually eliminates condensation
- Helps homes stay cooler in the summer & warmer in the winter.
- When combined with double strength glass EnerEDGE substantially reduces noise.

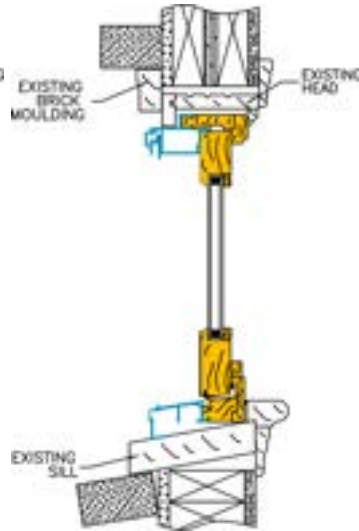


POCKET INSERT REPLACEMENT FRAME

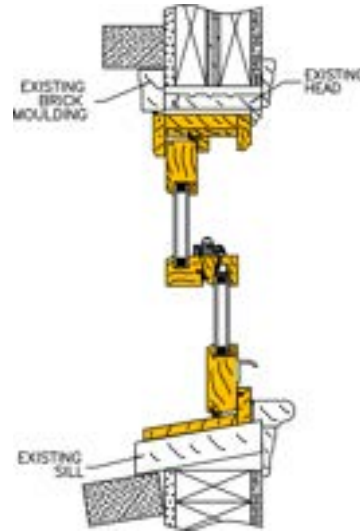
CLAD DOUBLE HUNG
DHC250 (EC200)



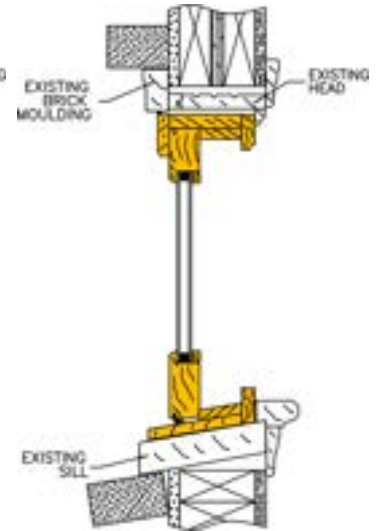
CLAD PICTURE
DPC250 (EC200PW)



WOOD DOUBLE HUNG
DHW250 (EW200)



WOOD PICTURE
DPW250 (EPW200)



REMODELING OR NEW CONSTRUCTION FULL FRAME

CLAD DOUBLE HUNG
DHC350 (EC300)



CLAD PICTURE
DPC350 (EC300PW)



WOOD DOUBLE HUNG
DHW350 (EW300)



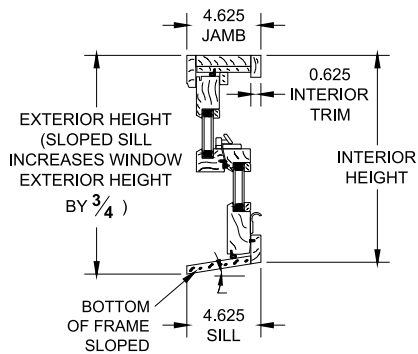
WOOD PICTURE
DPW350 (EPW300)



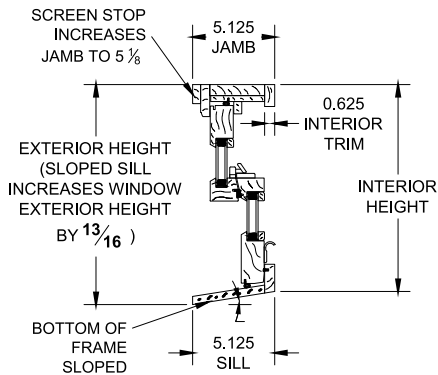
WOOD / cPVC POCKET INSERT, INTERIOR VS. EXTERIOR HEIGHT

NO INTERIOR SLIDING HALF SCREEN

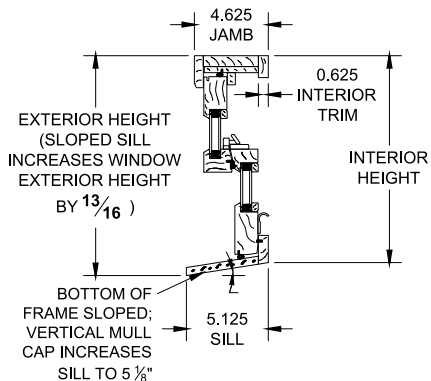
L200 (DHW200) / EW200 (DHW250)
 NO SCREEN STOP
 NO VERTICAL MULL CAP
 NO INTERIOR SLIDING HALF SCREEN



L200 (DHW200) / EW200 (DHW250)
 WITH SCREEN STOP
 WITH OR WITHOUT VERTICAL MULL CAP
 NO INTERIOR SLIDING HALF SCREEN

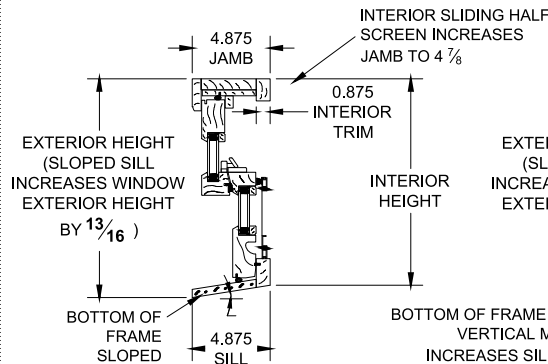


L200 (DHW200) / EW200 (DHW250)
 NO SCREEN STOP
 WITH VERTICAL MULL CAP
 NO INTERIOR SLIDING HALF SCREEN

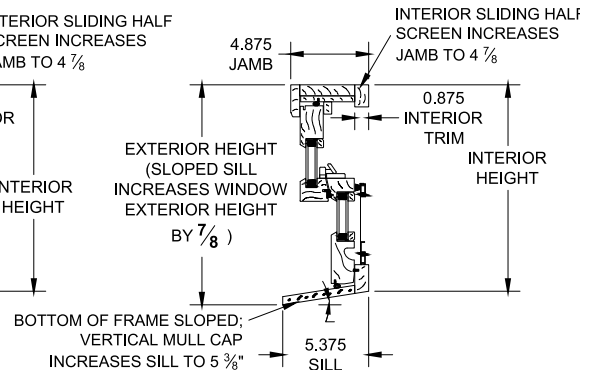


WITH INTERIOR SLIDING HALF SCREEN

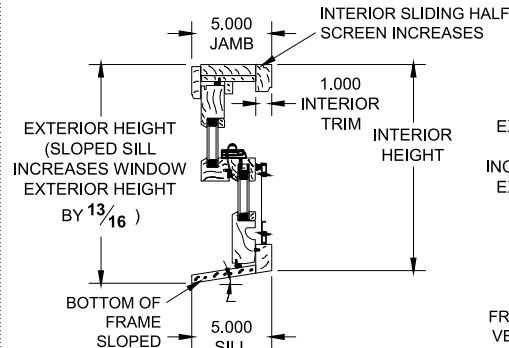
L200 (DHW200)
 NO SCREEN STOP
 NO VERTICAL MULL CAP
 WITH INTERIOR SLIDING HALF SCREEN



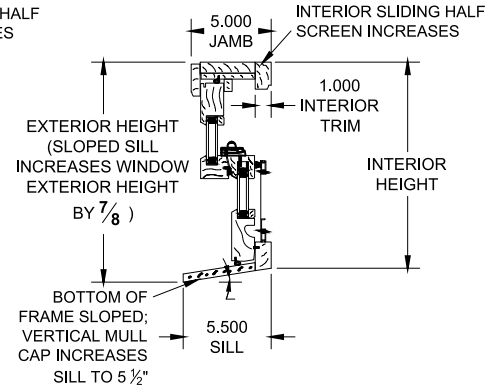
L200 (DHW200)
 NO SCREEN STOP
 WITH VERTICAL MULL CAP
 WITH INTERIOR SLIDING HALF SCREEN



EW200 (DHW250)
 NO SCREEN STOP
 NO VERTICAL MULL CAP
 WITH INTERIOR SLIDING HALF SCREEN



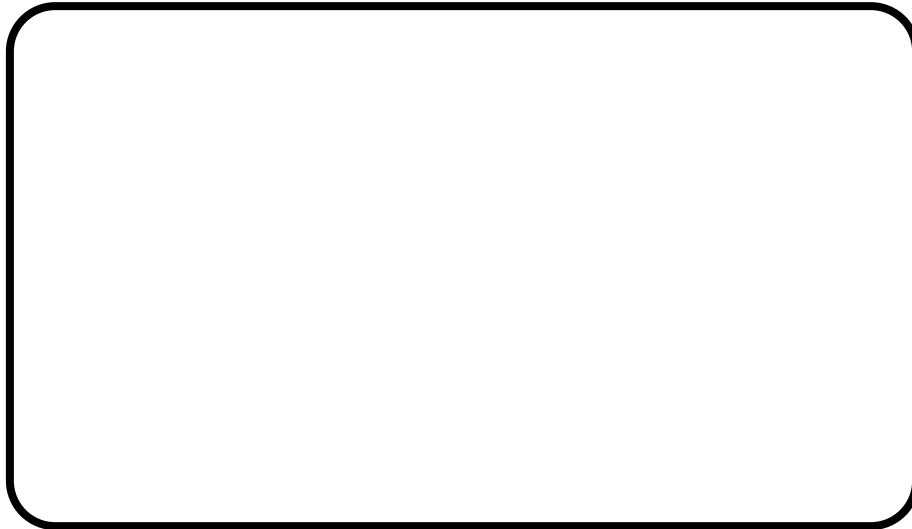
EW200 (DHW250)
 NO SCREEN STOP
 WITH VERTICAL MULL CAP
 WITH INTERIOR SLIDING HALF SCREEN



ECLIPSE

PREMIUM SERIES

Distributed Locally By:



For more than 50 years, Trimline has provided quality custom windows for use in replacement, remodeling, new construction and historically certified rehabilitation projects. Trimline offers a wide variety of products including double hung, casement, bow, bay, awning, picture windows, and sash replacement kits, as well as round top, elliptical and other architectural window products.

Custom colors in either all wood or aluminum clad exteriors and interior hardwoods of oak, cherry, and sapele are available. Custom extruded panning systems and other trim accessories plus, a variety of simulated divided light as well as authentic true divided lite profiles, and replication of mullion details are some of our custom capabilities.