



Ultra-Fit
SASH REPLACEMENT SERIES

**PRESERVE YOUR PROPERTY'S
BEAUTY & ELEGANCE**





TRIMLINE'S ULTRA-FIT SASH REPLACEMENT SOLUTIONS

ENJOY THE NATURAL BEAUTY & WARMTH OF WOOD

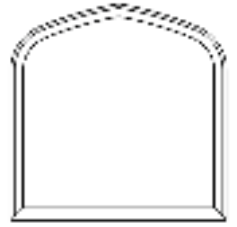
You know those old worn-out leaky windows with the sticky sashes that need to be replaced, but you can't bear the thought of losing all that beautiful woodwork and molding. Sure, you've heard all about the benefits of today's energy efficient windows but preserving the character and beauty of your home is just as important to you... those old drafty windows have become such a defining feature of your home that installing a typical replacement window just isn't the answer.

Or, maybe you just want a fresh new look without the expense of a major remodeling project. In either case, Trimline's Ultra-Fit sash replacement systems provide the most natural, energy wise solution for maintaining the beauty and value of your home without the hassle and expense of tearing out the entire window frame.

The design and performance of Trimline's Ultra-Fit sash replacement systems are built on nearly 60 years of experience in manufacturing replacement window products so you can be confident you're choosing a quality product.

SASH ONLY

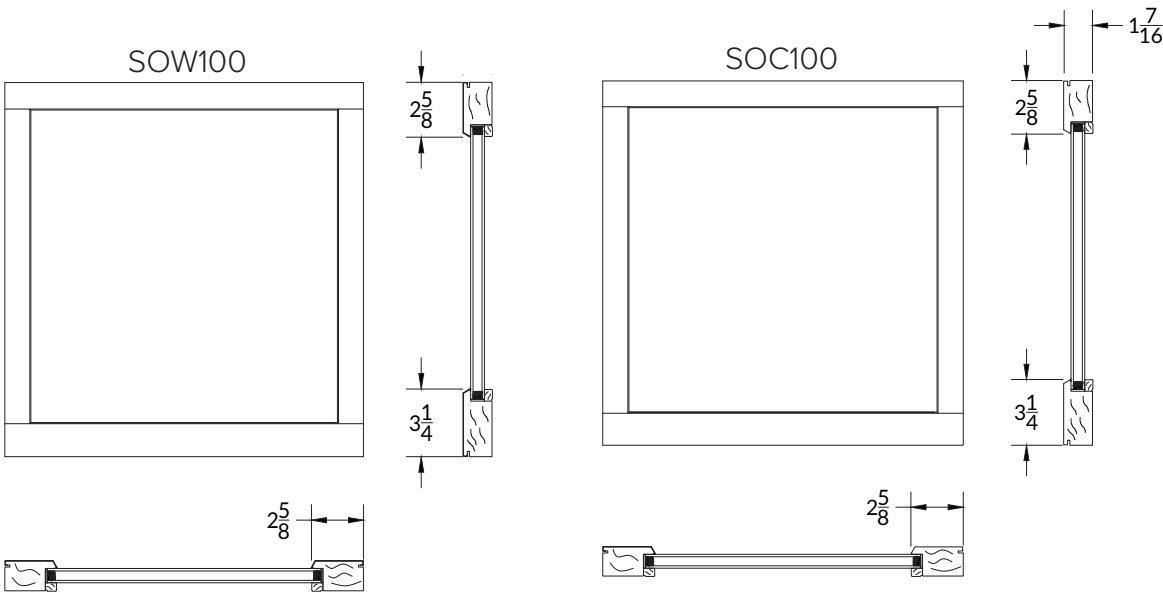
Trimline offers “deadlite” sashes in both aluminum clad-wood and all wood, to be fixed into an existing window frame. The sash only products include premium weatherstripping, LowE glass, and the insulating properties of wood to help create a new, stronger barrier from the elements. All of our finishing and grille options can be applied and endless shape variations are available to match the existing sash on your property.



SO100

SOC100 | DOUBLE HUNG ALUMINUM CLAD-WOOD SASH

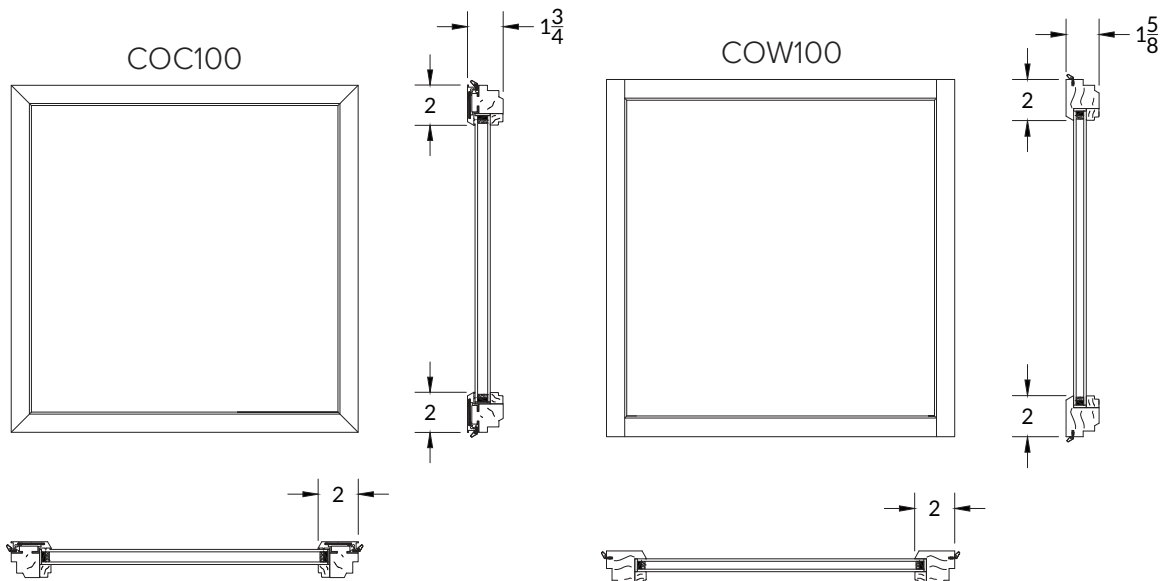
SOW100 | DOUBLE HUNG ALL WOOD SASH



CO100

COC100 | CASEMENT ALUMINUM CLAD-WOOD SASH

COW100 | CASEMENT ALL WOOD SASH

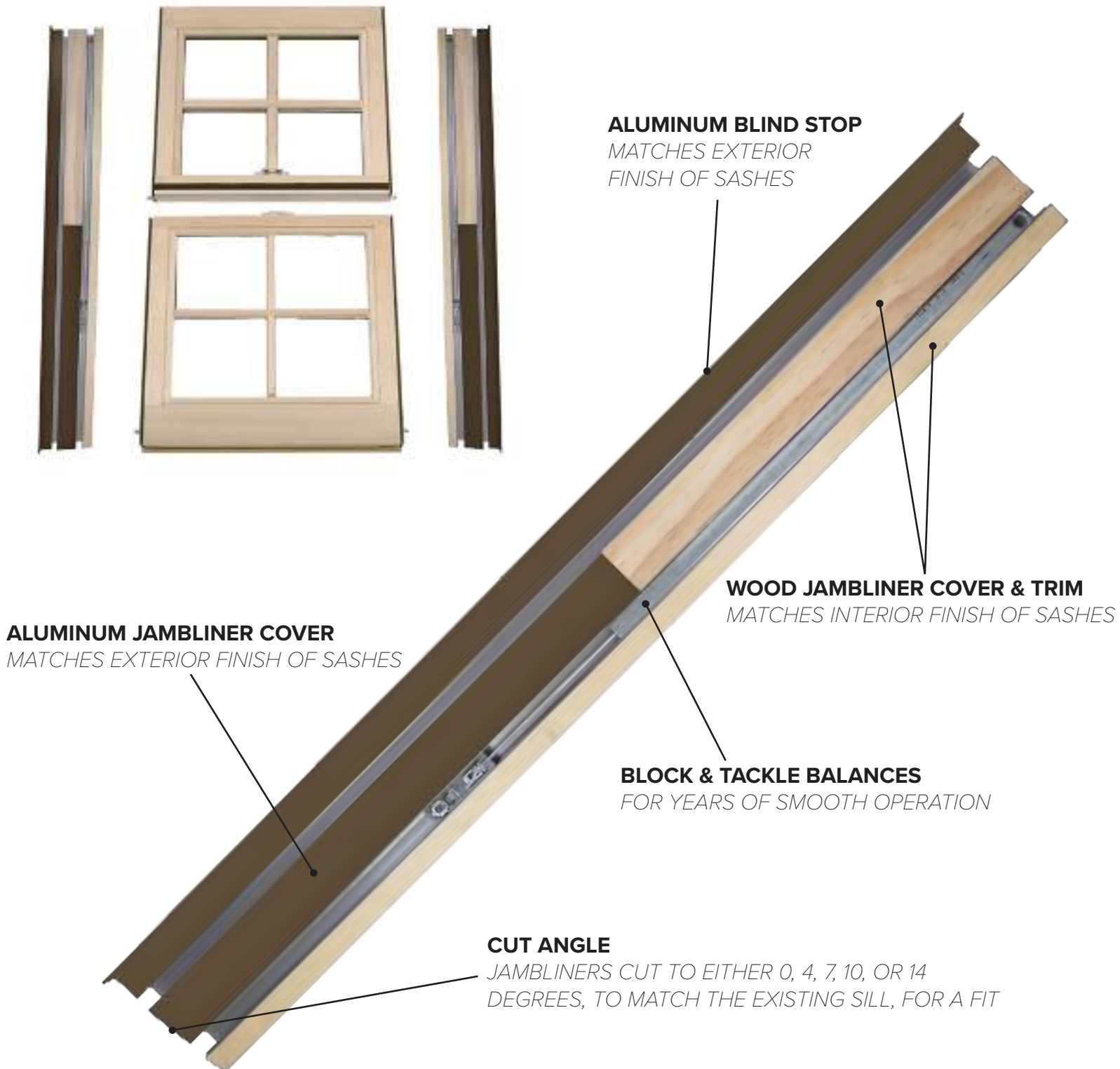


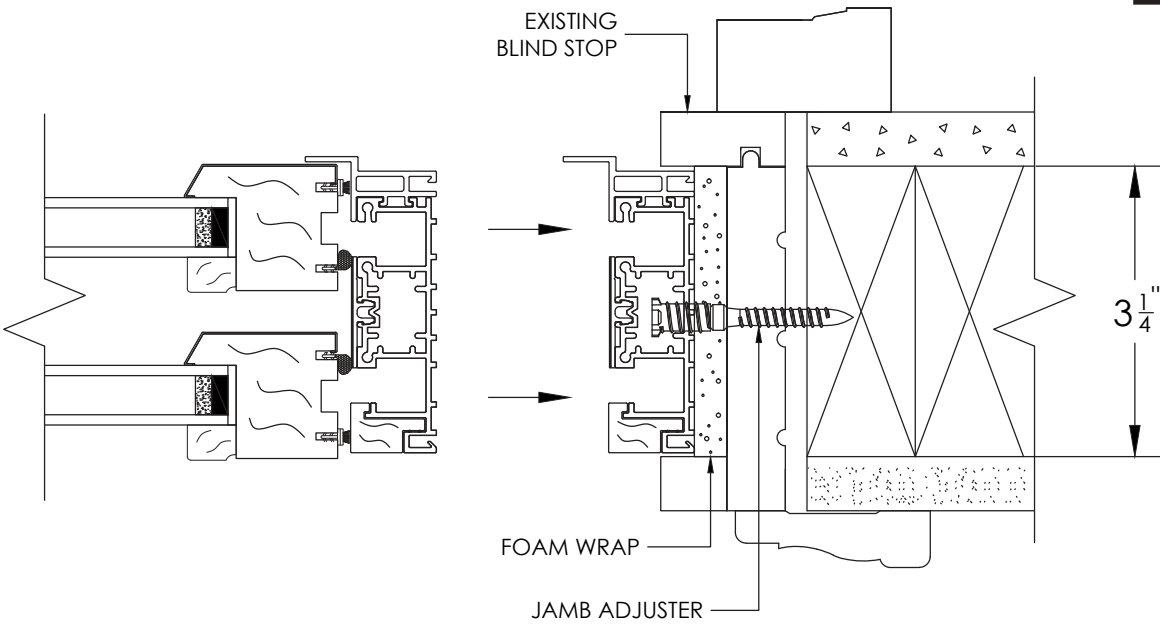
SK150 SASH REPLACEMENT KIT

SKC150 | ALUMINUM CLAD-WOOD SASHES

SKW150 | ALL WOOD SASHES

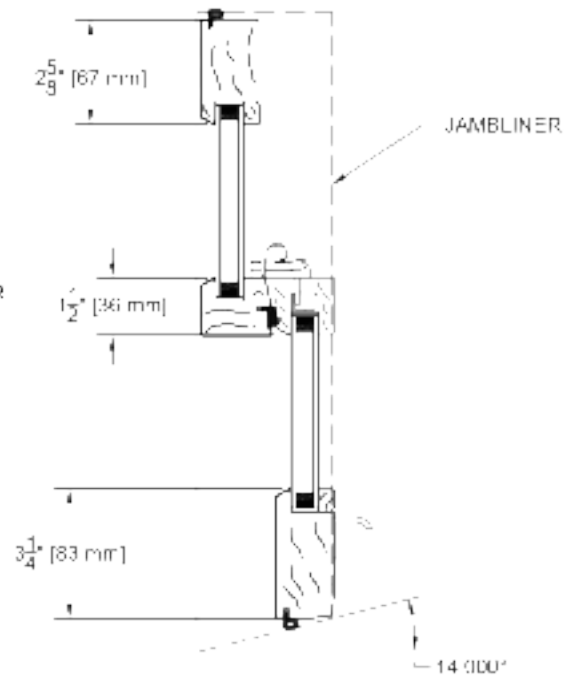
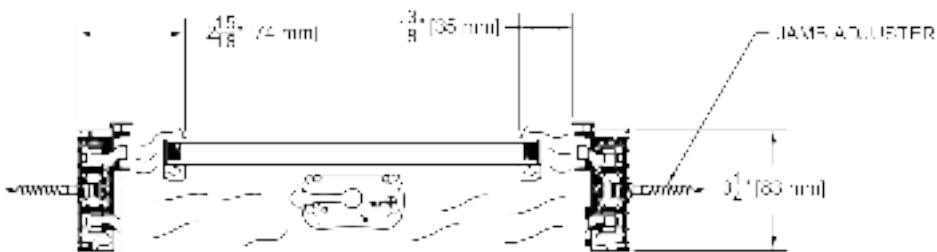
Trimline's SK150 is a traditional style sash replacement kit. Complete with double hung sash and jambliners. When the head and sill of the existing window frame are in good condition, the SK150 is the perfect solution. This minimally invasive installation helps preserve the original look of your property.





TILT-LOCK HARDWARE

THE COMBINATION TILT-LOCK HARDWARE ELIMINATES THE NEED FOR SURFACE MOUNTED TILT-LATCHES



UNITIZED FRAME PRODUCTS

Trimline's innovative unitized frame system combines the benefits of both a sash kit and a pocket replacement window. It creates a completely new factory controlled sash opening by unitizing its jambliner with a head and sill profile. This unique design achieves the natural undisturbed look of a conventional sash replacement kit, but with the energy tightness and ease of installation found in a typical replacement window.

SK250

SKC250 | ALUMINUM CLAD-WOOD SASHES

SKW250 | ALL WOOD SASHES



- CONCEALED JAMBLINERS MATCHING THE INTERIOR AND EXTERIOR FINISH OF THE SASHES
- UNITIZED FRAME SYSTEM
- JAMB ADJUSTER SCREWS
- AVAILABLE WITH COMBINATION TILT-LOCK HARDWARE
- AVAILABLE WITH A HALF SCREEN WHICH SITS UNDER CHECK RAIL (TOP SASH FIXED)



SK200

SKC200 | ALUMINUM CLAD-WOOD (CLASSIC)

SKW200 | ALL WOOD (HERITAGE)



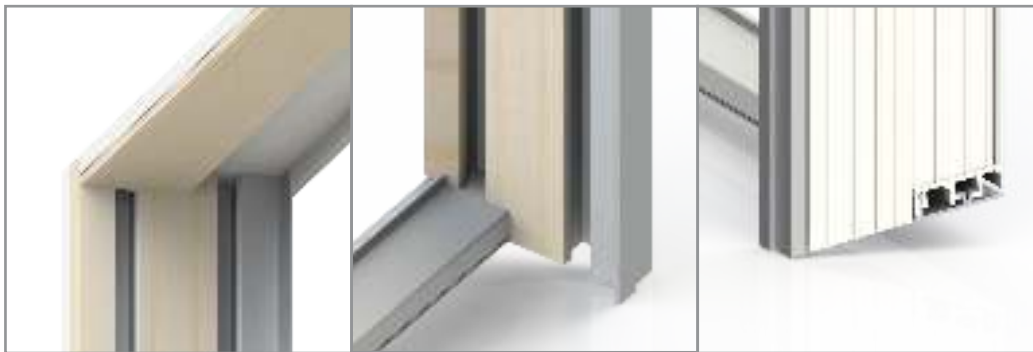
- EXPOSED VINYL JAMBLINER
- UNITIZED FRAME SYSTEM
- JAMB ADJUSTER SCREWS
- TILT LATCHES FOR EASY CLEANING AVAILABLE IN WHITE OR BEIGE
- PROVIDE FULL OR HALF SCREEN SIZES FOR INSTALLATION INTO THE EXISTING WINDOW CASING

Ultra-Fit Jambliners: Come pre-loaded with block & tackle balancers and are custom-cut to match your sill angle. Reinforced with an extruded aluminum channel, the jambliners are foam-backed, pre-drilled for installation screws and Jamb adjusters.

Vinyl Profile Head: Is foam-backed, with compression weatherstripping and a wood head plate, offering a fresh look to the interior window frame.

Vinyl Sill Profile: is reinforced with an aluminum insert, allowing secure attachment to the existing sill, creating a solid surface for a tight weatherseal on the bottom sash.

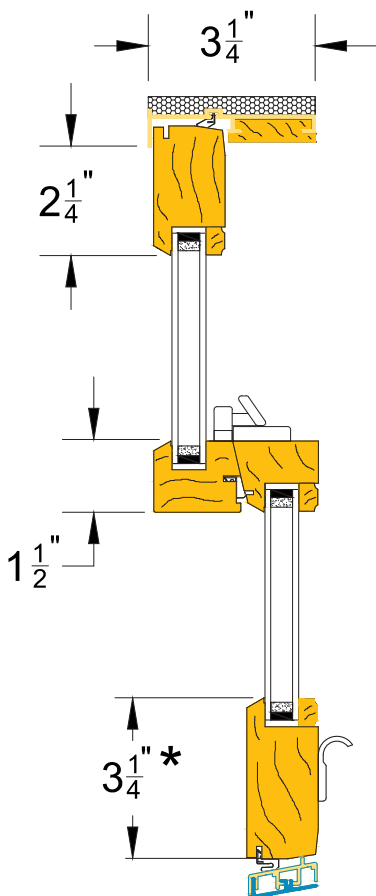
Choose between a prefabricated system with head, sill, and jambliner components for quick field assembly, or opt for the system pre-assembled.



Head Detail From Interior

Sill Detail From Exterior

Outside of Jamb Detail

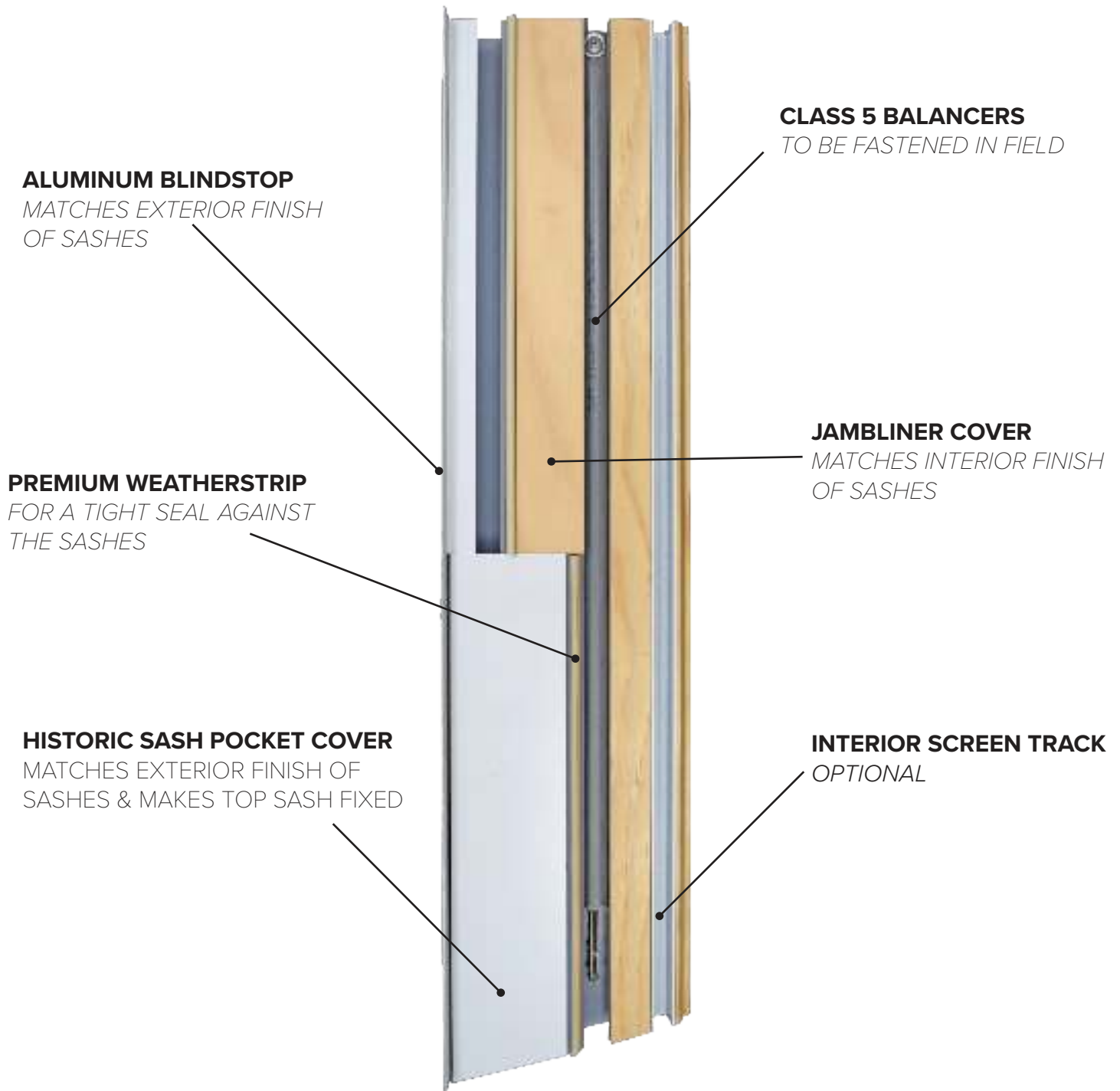


SK175

SKC175 | ALUMINUM CLAD-WOOD SASHES
SKW175 | ALL WOOD SASHES



The SKC175 is designed for applications in which the bottom sash weighs greater than or equal to 40 lbs. This product requires a jamb pocket width of at least 3.813". The SK175 can handle heavier loads with a Class 5 balance which carries a higher percentage of sash weight compared to a typical block & tackle balance. The jambliner is foam back with pre-drilled standard installation holes.

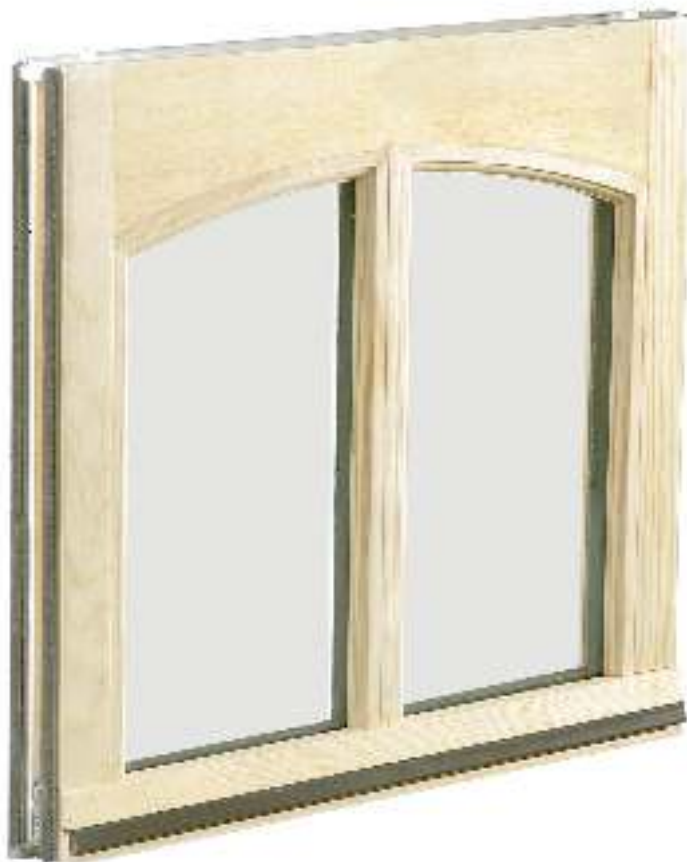
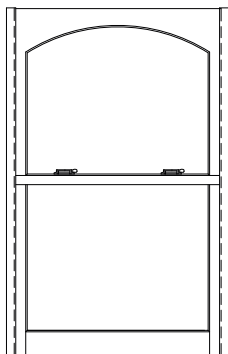
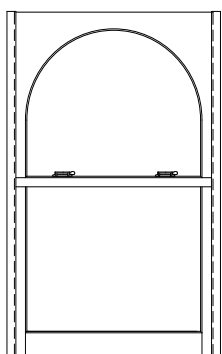


***Aluminum jambliner reinforcement and jamb adjuster screws are not available on this product.*

ALL WOOD



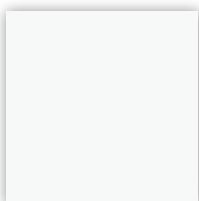
For a true historic look, Trimline offers all wood sash options. These all wood sash replacement products create endless possibilities for top rail and glass line radiuses, and shape variations to replicate almost any existing condition.



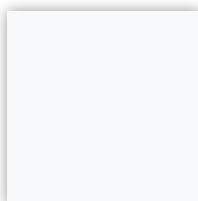
SUPERIOR FINISH

ALL TRIMLINE PRODUCTS ARE HAND PUTTIED, SANDED, PRIMED AND PAINTED AFTER JOINERY, RESULTING IN A PREMIUM FINISH.

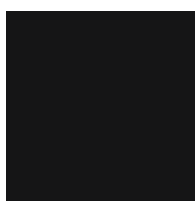
EXTERIOR WOOD FINISH OPTIONS



PRIMED



WHITE



BLACK



CUSTOM COLORS AVAILABLE



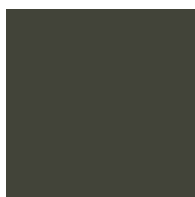
HUNTER GREEN



BEIGE



EARTHTONE



BRONZE

***All wood sash replacement systems include jamb liners with aluminum and vinyl components.*

HARDWARE

RESTORATION II



Polished Brass



White



Oil Rubbed Bronze



Satin Nickel



Antique Brass



Black

ECLIPSE

ONLY AVAILBLE ON 150, 175, 250 PRODUCTS



White



Black



Beige



Satin Nickel



Oil Rubbed Bronze

TRADITIONAL



White



Beige



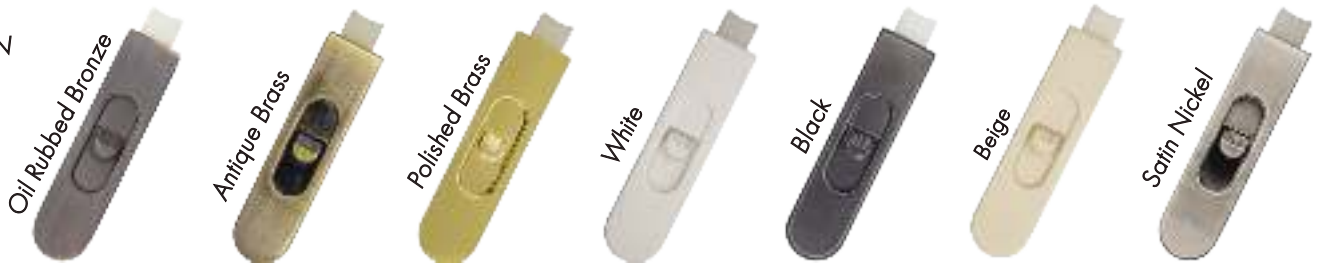
Antique Brass



Satin Nickel

TILT LATCHES

AVAILABLE ON
150
175
250



AVAILABLE ON
200



FINISHES

INTERIOR WOOD SPECIES



PINE



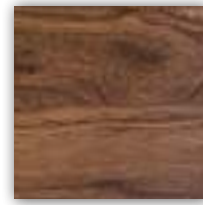
SAPELE



WHITE OAK



CHERRY

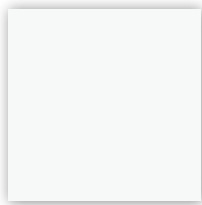


CUSTOM

INTERIOR WOOD FINISHES



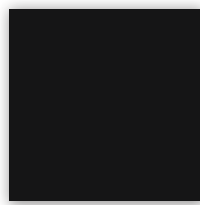
UNFINISHED



PRIMED



WHITE

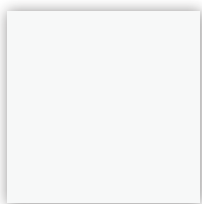


BLACK



CUSTOM COLORS AVAILABLE

EXTERIOR ALUMINUM CLAD COLORS



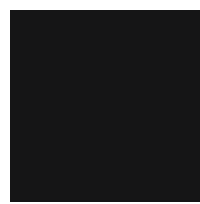
WHITE



HUNTER GREEN



BEIGE



BLACK



BRONZE



EARTHTONE



CUSTOM COLORS AVAILABLE

GRILLES

FLAT IN-GLASS ALUMINUM

Maintenance-free $\frac{5}{8}$ " between the glass flat aluminum muntin in matching exterior cladding color. Also available in diamond lite patterns. Two-tone inglass grids are not available.

SCULPTURED IN-GLASS ALUMINUM

Maintenance-free $\frac{3}{4}$ " between the glass sculptured aluminum muntin in matching exterior cladding color. Two-tone inglass grids are not available.

WOOD REMOVABLE

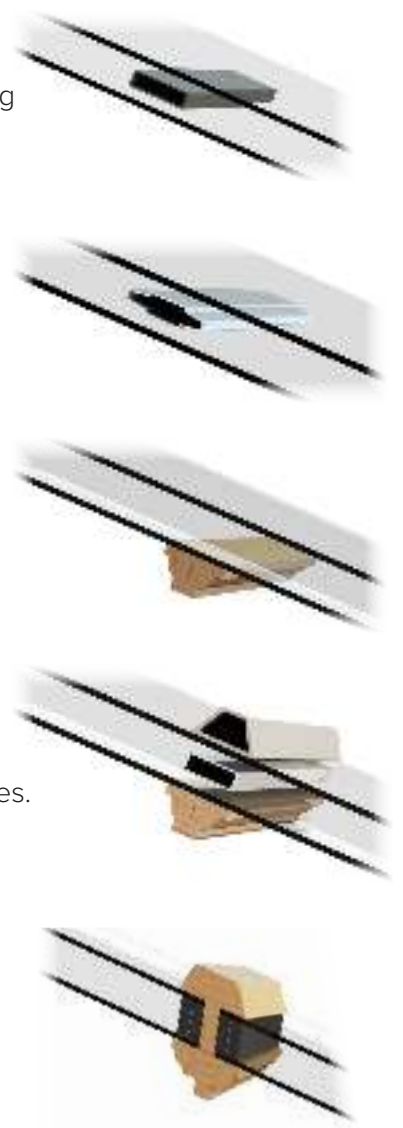
Wooden removable interior grille available in $\frac{5}{8}$ " or $\frac{7}{8}$ ".

SIMULATED DIVIDED LITE

The SDL grille package offers an authentic "putty glaze" look in $\frac{5}{8}$ " or $\frac{7}{8}$ " widths, with exterior aluminum/wood/cPVC muntins and removable or permanent wooden interior grilles. Optional in-glass bronze spacer bar available.

TRUE DIVIDED LITE

Individual insulated glass units separated by $1\frac{1}{8}$ " muntins.



STANDARD GRILLE WIDTHS



5/8"



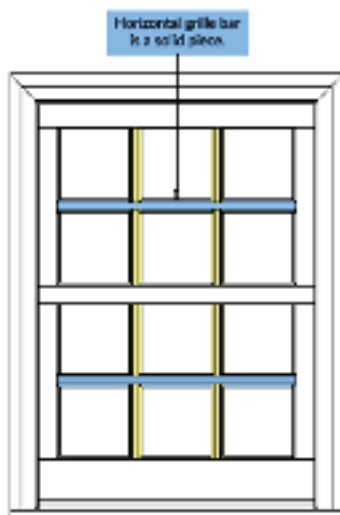
7/8"



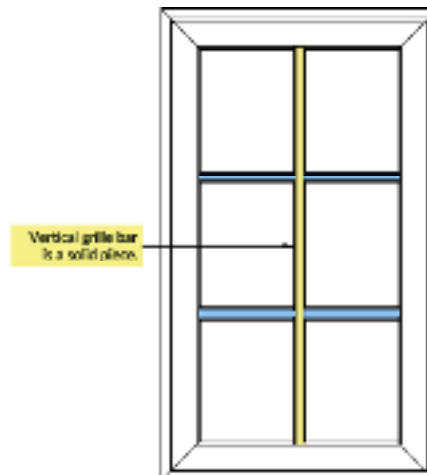
1 1/4"



1 1/2"



DOUBLE HUNG



CASEMENT

ADDITIONAL OPTIONS

Routed Finger Lifts



Window Operating Control Device



Polished Brass Handles



BOTTOM SASH RAIL



OPTIONAL 2 5/8"



STANDARD 3 1/4"



OPTIONAL 4" HISTORIC

PERFORMANCE

GLASS

Trimline high-performance (HP) LowE glass meets our exacting standards in delivering overall energy performance. Argon gas blend is used between the glass panes for additional insulation and our glass is heat-strengthened for increased durability.



This is why Trimline windows with high-performance glass carries a transferable Owner-to-Owner® 20-year limited glass warranty.



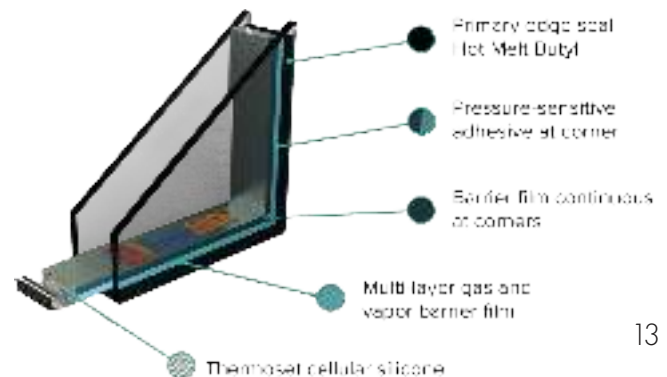
An optional insulating glass package is also available using two lites of LowE glass improving overall window U-values by 10%.

INSULATED GLASS UNIT SPACER

Warm Edge refers to the spacer material between glass panes in insulating units. Many energy-efficient windows use thermally conductive metal-based spacers, which are less effective than thermal insulation.

Homeowner Benefits:

- Increased comfort year-round
- Lower heating and cooling costs
- UV protection for furniture and walls
- Clear, color-neutral views
- Maintains healthy indoor humidity
- Virtually eliminates condensation
- Keeps homes cooler in summer and warmer in winter
- 1/8" glass virtually eliminates street noise



MEASURING GUIDE

EXISTING WINDOW OPENING

The Ultra-Fit kit is ordered by your existing tight sash opening – TrimLine will make the necessary deductions for proper clearance.

MEASURE THE WIDTH

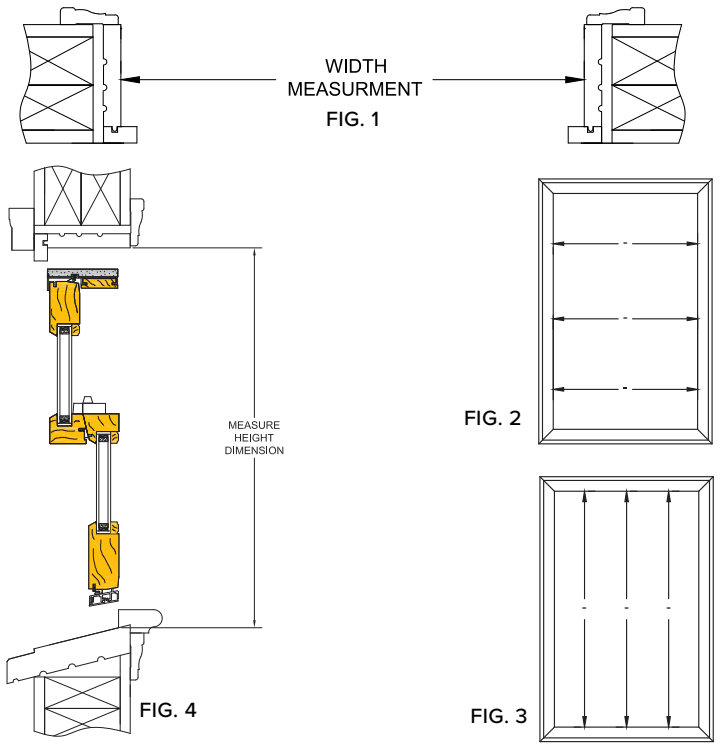
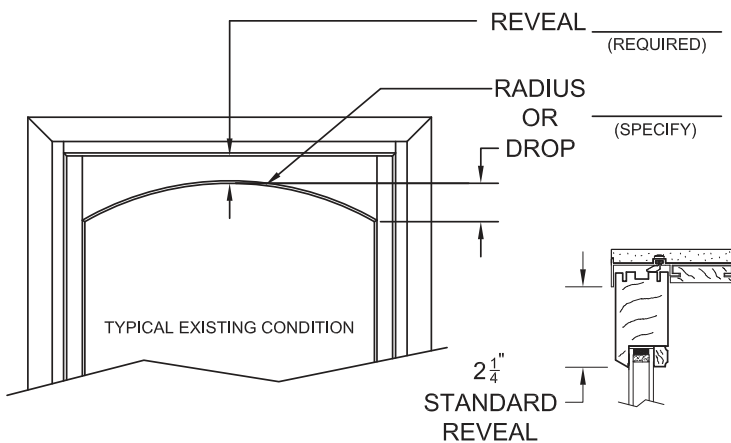
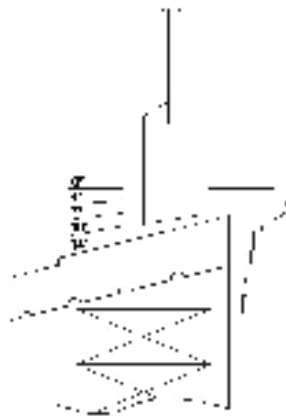
Remove existing sash and jamblers. Measure from the inside face of jamb to jamb (Fig 1). Measure a minimum of three different locations: top, middle and bottom (Fig 2). Record the smallest size rounding down to the nearest 1/16". This size is your tight sash opening size.

MEASURE THE HEIGHT

Where top sash touches the under side of the window frame to the highest point on the sill where the bottom sash touches (see Fig 3). Measure a minimum of three different locations: left, middle and right (Fig 4) and record the smallest size rounded down to the nearest 1/16". This size is your tight sash opening size.

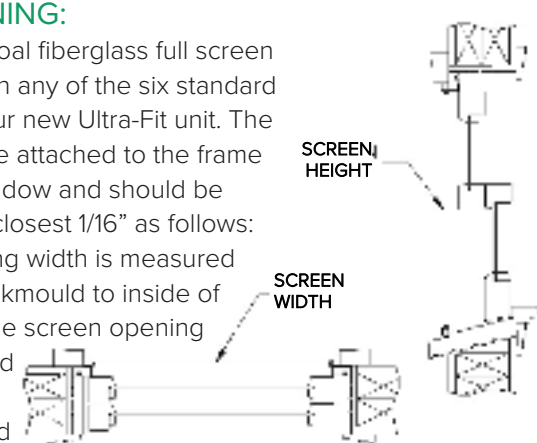
EXISTING SILL ANGLE:

The Ultra-Fit jambliners may be cut on the precise angle you specify (generally between 6° to 14°) so there are no gaps where they rest on the existing window sill. To determine this angle an inside miter gauge or angle finder can be used. Unless this angle is specified when ordered, jambliners will be cut at a standard sill angle of 14°.



SCREEN OPENING:

An optional charcoal fiberglass full screen can be provided in any of the six standard clad colors for your new Ultra-Fit unit. The new screen will be attached to the frame of the existing window and should be measured to the closest 1/16" as follows: the screen opening width is measured from inside of brickmould to inside of brickmould and the screen opening height is measured from the inside of the top brickmould down to a point perpendicular to the existing sill as shown.



MEASURING THE DROP & REVEAL:

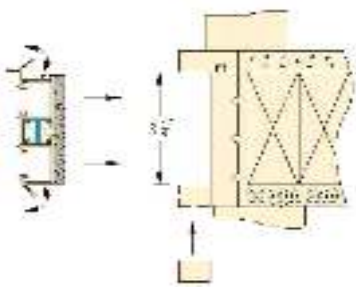
To measure the Drop of your Presidential sash kit, measure the highest point of the arch to the lowest point of the arch. This difference is your drop.

To measure the Reveal, have windows in the locked position and measure the highest point of the arch to where the frame and sash meet. This measurement is your reveal.



QUICK, EASY, EXACT INSTALLATION

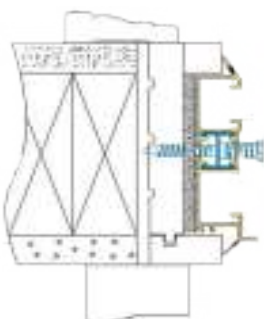
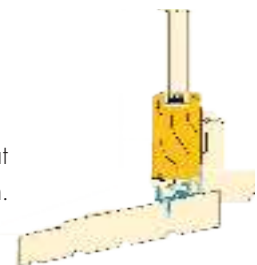
Comes complete with detailed instructions and all hardware for a quick, easy and exact installation.



The Flexi-Flap design ensures a tight weatherseal and seamless transition from the old frame:

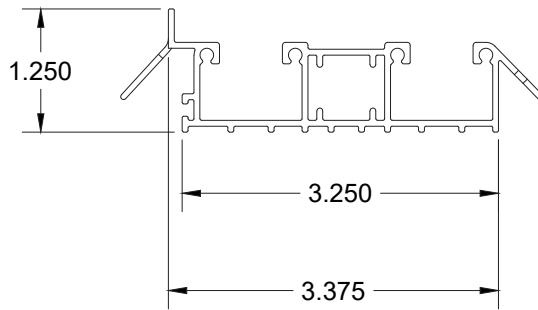
- Quick, inside installation
- No disturbance to wallpaper, paint, or surrounding moldings
- Keeps existing framework, plaster, and wood intact
- Cost-effective—no need for full window removal

The Ultra-Fit sill system, reinforced with aluminum, securely fastens to the existing sill. Unlike standard systems that rely on the old sill for sealing, it creates a solid new surface for a tight weatherseal at the bottom sash.

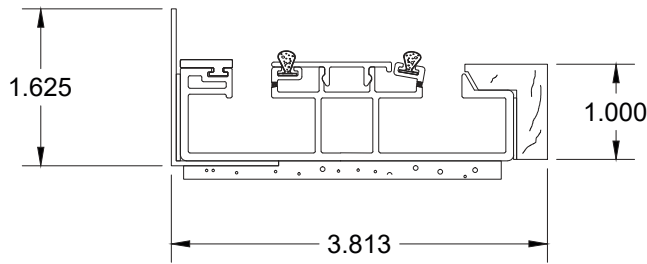


The Ultra-Fit system includes jamb adjusters anchored in an aluminum channel that reinforces the vinyl jamb liners. After securing the unit, the jamb liners are easily adjusted to eliminate bowing or hour-glassing, ensuring a tight, weathertight fit. A crown and bit tool is provided for adjustments.

SK200



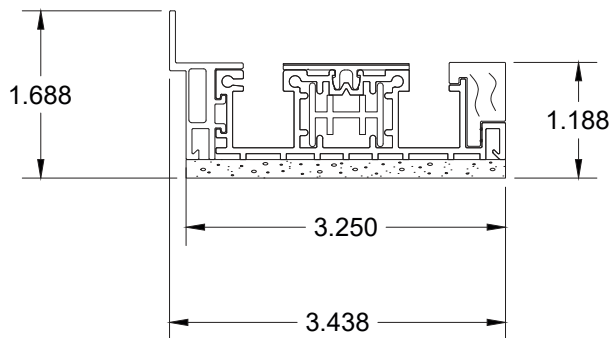
SK175



EXTERIOR

INTERIOR

SK150



ORDER #:
LINE #:
QTY:

MY SIGNATURE BELOW INDICATES MY APPROVAL OF DESIGN AND DIMENSIONS AS SHOWN. I AUTHORIZE PRODUCTION OF SAME.

CUSTOMER: _____

BY: _____

DATE: _____

THE INFORMATION CONTAINED IN THIS DRAWING IS THE SOLE PROPERTY OF TRIMLINE WINDOWS INC. ANY REPRODUCTION IN PART OR AS A WHOLE WITHOUT THE WRITTEN PERMISSION OF TRIMLINE WINDOWS INC. IS PROHIBITED.



DESCRIPTION:

SASH KIT JAMBLINER POCKET COMPARISON

CUSTOMER:

"IN-HOUSE"

SIZE: A

SCALE:

6" = 1'-0"

PROJECT:

DRAWN BY:

A.F.

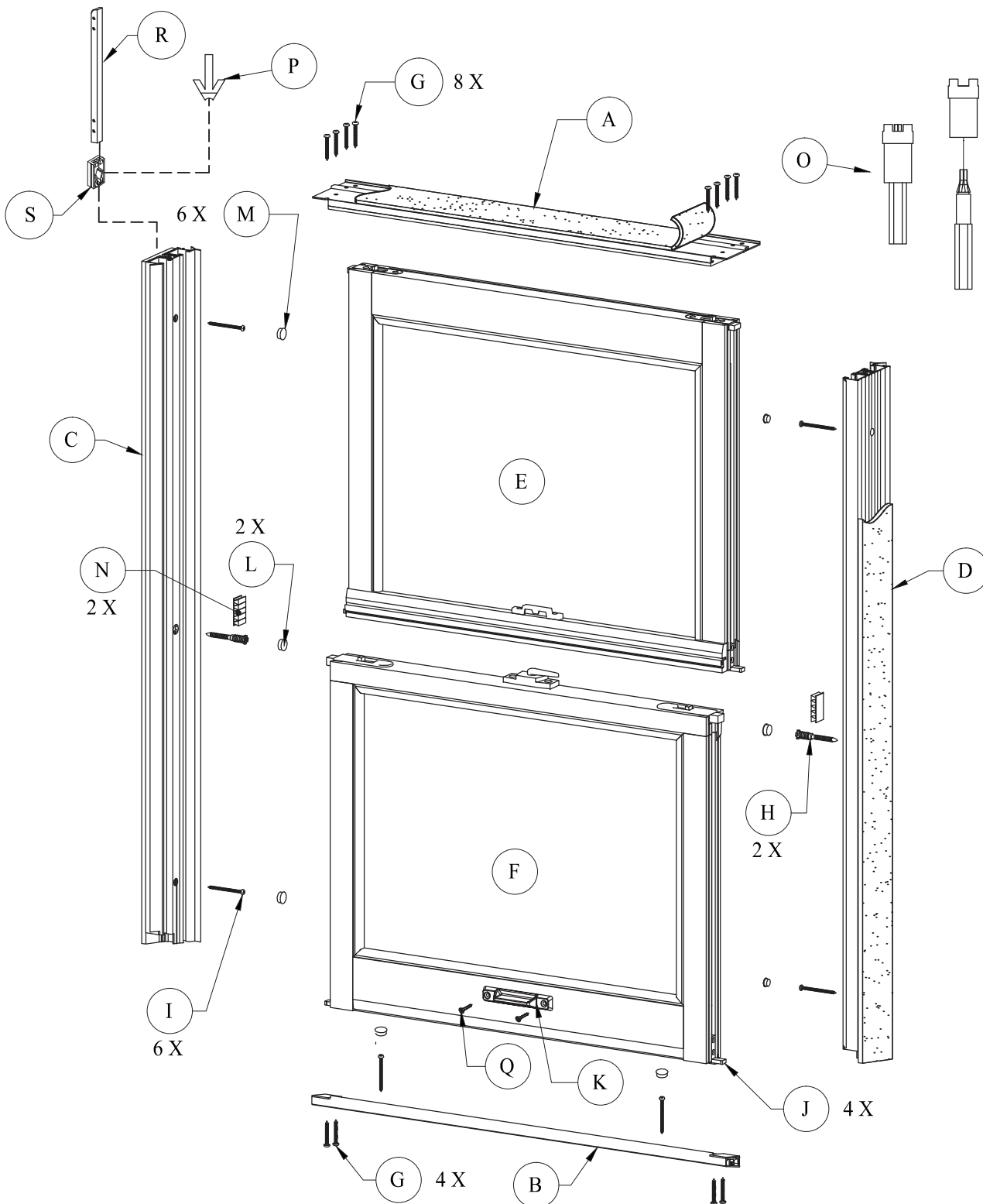
DATE:

7.10.24

DWG #:

A-3854

SKC200 (CLASSIC) / SKW200 (HERITAGE)



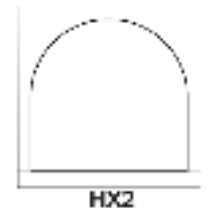
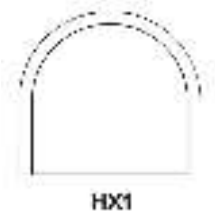
PARTS LIST

ITEM	DESCRIPTION	QTY.	ITEM	DESCRIPTION	QTY.
A	HEAD SECTION	1	K	BOTTOM SASH LIFTS	-
B	SILL SECTION	1	L	SNAP-IN JAMB ADJUSTMENT HOLE COVER	2
C	LEFT JAMBLINER ASSEMBLY	1	M	SNAP-IN INSTALLATION HOLE COVER	6
D	RIGHT JAMBLINER ASSEMBLY	1	N	JAMBLINER PAD	2
E	TOP SASH	1	O	ADJUSTMENT TOOL (CROWN BIT) FOR ITEM H	1
F	BOTTOM SASH	1	P	RETAINER CLIP	4
G	ASS'Y SCREWS (#7 X 1-1/4")	12	Q	LIFT HANDLE SCREWS	2
H	JAMB ADJUSTING SCREWS	2	R	BALANCER	2
I	INSTALLATION SCREWS (#6 X 2.0")	6	S	PIVOT SHOE	2
J	SASH PIVOT	4			

PRODUCT CODE GUIDE

	MATERIALS	COMPONENTS	POCKET WIDTH	SILL DEGREE	JAMBLINER
SKC150	Aluminum Clad-Wood	Sash Jambliners (2) W/S stops	3.25" (3.438" to outside of blindstop)	0, 4, 7, 10, 14	Concealed (Matches interior & exterior finishes of sashes)
SKW150	All Wood Sash (Exterior Jambliner Covers and blindstop are aluminum)	Sash Jambliners (2) W/S stops	3.25" (3.438" to outside of blindstop)	0, 4, 7, 10, 14	Concealed (Matches interior & exterior finishes of sashes)
SKC175 (For Units Taller than 84" or sash 45 IBS)	Aluminum Clad-Wood	Sash Jambliners (2) W/S stops	3.813"	0, 4, 7, 10, 14	Concealed (Matches interior & exterior finishes of sashes)
SKW175 (For Units Taller than 84" or sash 45 IBS)	All Wood Sash (Exterior Jambliner Covers and blindstop are aluminum)	Sash Jambliners (2) W/S stops	3.813"	0, 4, 7, 10, 14	Concealed (Matches interior & exterior finishes of sashes)
SKC200 (CLASSIC)	Aluminum Clad-Wood	Unitized Vinyl Frame (Jambliners, head, sill, K/D or factory assembled)	3.25"	0-14	Exposed Off-White Vinyl
SKW200 (HERITAGE)	All Wood Sash (Jambliner Covers and blindstop are vinyl)	Unitized Vinyl Frame (Jambliners, head, sill, K/D or factory assembled)	3.25"	0-14	Exposed Off-White Vinyl
SKC250	Aluminum Clad-Wood	Unitized Vinyl Frame (Jambliners, head, sill, K/D or factory assembled)	3.25" (3.438" to outside of blindstop)	0, 4, 7, 10, 14	Concealed (Matches interior & exterior finishes of sashes)
SKW250	All Wood Sash (Exterior Jambliner Covers and blindstop are aluminum)	Unitized Vinyl Frame (Jambliners, head, sill, K/D or factory assembled)	3.25" (3.438" to outside of blindstop)	0, 4, 7, 10, 14	Concealed (Matches interior & exterior finishes of sashes)

BALANCES	HARDWARE STYLES	SCREEN	SHARE VARIATIONS
Block & Tackle	Traditonal Restoration II Eclipse Tilt-Lock	- Half (sits under check-rail / elongates siteline / fixed top sash) - Half (Fasten to existing brickmold / must provide size) - Full (Fasten to existing brickmold / must provide size)	Contact Trimline
Block & Tackle	Traditonal Restoration II Eclipse Tilt-Lock	- Half (sits under check-rail / elongates siteline / fixed top sash) - Half (Fasten to existing brickmold / must provide size) - Full (Fasten to existing brickmold / must provide size)	SX1 SX2 HX1 HX2
Class 5 Ultra-Lift (Must be fasten in field)	Traditonal Restoration II Eclipse Tilt-Lock	- Half (Fasten to existing brickmold / must provide size) - Full (Fasten to existing brickmold / must provide size)	Contact Trimline
Class 5 Ultra-Lift (Must be fasten in field)	Traditonal Restoration II Eclipse Tilt-Lock	- Half (Fasten to existing brickmold / must provide size) - Full (Fasten to existing brickmold / must provide size)	SX1 SX2 HX1 HX2
Block & Tackle	Traditonal Restoration II	- Half (Fasten to existing brickmold / must provide size) - Full (Fasten to existing brickmold / must provide size)	N/A
Block & Tackle	Traditonal Restoration II	- Half (Fasten to existing brickmold / must provide size) - Full (Fasten to existing brickmold / must provide size)	SX2 (Presidential) HX2 (Congressional)
Block & Tackle	Traditonal Restoration II Eclipse Tilt-Lock	- Half (sits under check-rail / elongates siteline / fixed top sash) - Half (Fasten to existing brickmold / must provide size) - Full (Fasten to existing brickmold / must provide size)	N/A
Block & Tackle	Traditonal Restoration II Eclipse Tilt-Lock	- Half (sits under check-rail / elongates siteline / fixed top sash) - Half (Fasten to existing brickmold / must provide size) - Full (Fasten to existing brickmold / must provide size)	SX2 HX2





Distributed Locally By:



VISIT [TRIMLINEWINDOWS.COM](https://www.trimlinewindows.com)

VERSION 7.29.25